

SINGER
99W67, W68

LIST OF PARTS



MACHINES Nos. 99w67 and 99w68

** A TRADE MARK OF
THE SINGER MANUFACTURING COMPANY

INSTRUCTIONS FOR OILING

To ensure easy running and prevent unnecessary wear of the parts which are in movable contact, the machine requires oiling and when in continuous use, "TYPE B" or "TYPE D" OIL, sold only by Singer Sewing Machine Company, should be applied at least daily to all oil holes marked "OIL", as instructed in Form 2229w.

"TYPE D" OIL is stainless.

INDEX

	PAGE
ACCESSORIES	42
DRIVING EQUIPMENT	43
MACHINE NO. 99w67	7
" " 99w68	40
NUMERICAL LIST OF PARTS	53
OBSOLETE PARTS	52
SHAFT PULLEYS	50
THREAD UNWINDER	42
TRANSMITTER PULLEYS	52

From the library of: Diamond Needle Corp

COPYRIGHT, U. S. A.,
1919, 1923, 1925, 1930, 1931, 1932 AND 1934,
BY THE SINGER MANUFACTURING CO.
ALL RIGHTS RESERVED FOR ALL COUNTRIES.

Instructions for Ordering

In ordering from this list, use **ONLY** the **PART** number in the **FIRST** column.

The number stamped on a Sewing Machine Part is the number of the Single Part only, except when the part includes Set Screws, Clamping Screws, Studs and Rollers Spun on, Small Wires riveted, or Parts soldered together, etc., which it is necessary to furnish in combination.

Every combination of parts sent out has its specific number which, although not stamped on Parts (except in above cases) must be used when ordering the combination.

Each number always indicates the **SAME PART** in whatever list it appears, or for whatever Machine.

The letters after some of the numbers indicate the style of finish only, as follows:

- A. Hardened, Polished and Plated.
- B. Polished and Plated.
- C. Hardened only.
- D. Polished only.
- E. Soft, not polished.
- F. Hardened and Polished.
- H. Blued.
- J. Nickel Plated only.
- R. Merlized.
- Y. Black Nickel Plated only.

These letters **MUST BE USED** when they appear in the list and **AFTER** the number, as in the list.

1 to 1500, 50001 to 51500, 200001 to 201500 and 350001 to 351500 are Screw Numbers.

1501 to 1800, 51501 to 51800, 201501 to 201800 and 351501 to 351800 are Nut Numbers.

1801 to 2000, 51801 to 52000, 201801 to 202000 and 351801 to 352000 are Roller Numbers.

2001 to 50000, 52001 to 200000 and 202001 to 350000 are Numbers of Machine Parts.

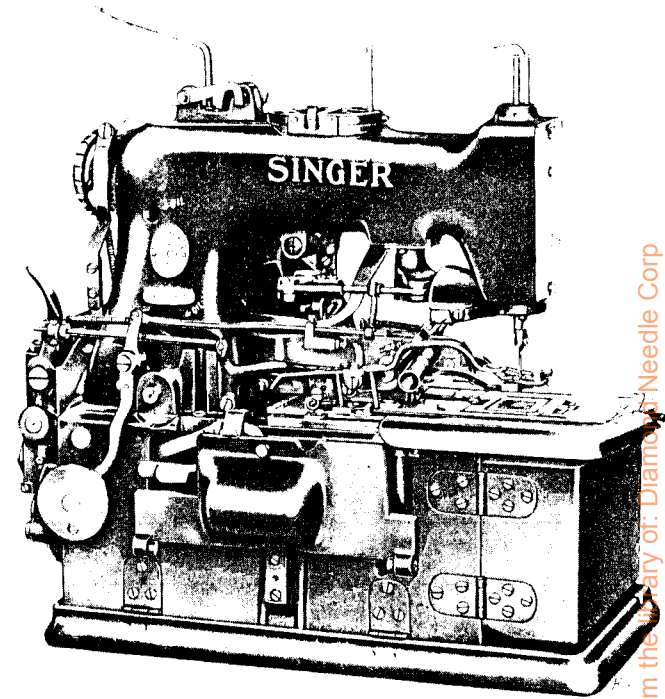
The figures in the second column refer only to the plate in which the illustration of the part is shown and are **NOT TO BE USED** in ordering.

Two or more numbers over a cut indicate that the difference between such parts is not visible in an illustration.

Parts marked with an asterisk (*) are furnished only when repairs are made at the factory.

LIST OF PARTS COMPLETE

FOR



From the Library of: Diamond Needle Corp

MACHINE No. 99w67

AUTOMATIC EYELET MACHINE

For Making Small Eyelets in Caps, Muslin, Knit Goods, Denim and Other Fabrics

No.	Plate	Name
*232487	- - -	Arm
204235	13701	" Position Pin (2)
200020E	13701	" Screw (4)
232488	15423	" Shaft
232489	13701	" " Bevel Gear (order Position Screw or Set Screw as required)
232244	13701	Arm Shaft Bevel Gear Position Pin
350223E	15414	" " " " " Screw

Parts for Machine No. 99w67

No.	Plate	Name
203184	15418	Drip Pan Clamp
200262H	15417	" " " Hinge Screw
200728B	15417	" " " Thumb Screw
350150E	15417	" " " " " Sock
201506B	15417	" " " " " "
		Lock Nut
203185	15417	Drip Pan Clamp Thumb Scre Washer
232472	15435	Driving Wheel (loose)
232110	15418	" " with 200395c and two 232113
232112	13710	Driving Wheel Friction Gib
232113	13710	" " " " Position Pin
8873	15414	Driving Wheel Position Pin
200395c	15414	" " Set Screw
255507	15416	" " Stop Cam
232115	13710	" " " " Spring
200096D	15417	" " " " " Position Screw
251025	15416	Driving Wheel Stop Cam Position Collar with 1036c
1036c	15414	Driving Wheel Stop Cam Position Collar Set Screw
250858	15417	Eyelet Cutting Block (steel)
232503	15423	" " Carrier Cam with 200364c
40025	15417	Eyelet Cutting Carrier Cam Position Pin
200364c	15417	Eyelet Cutting Carrier Cam Set Screw
250021	15418	Eyelet Cutting Carrier Lever with 990D, 201366c, 201524E and 201892
50031c	15417	Eyelet Cutting Carrier Lever Adjusting Screw Stud
1698c	15417	Eyelet Cutting Carrier Lever Adjusting Screw Stud Nut
39541	13720	Eyelet Cutting Carrier Lever Adjusting Screw Stud Nut Washer
250889	15417	Eyelet Cutting Carrier Lever Adjusting Screw Stud Sleeve
201892	15417	Eyelet Cutting Carrier Lever Roller
990D	15417	" " " " " Cap Screw
201366c	15417	Eyelet Cutting Carrier Lever Roller Screw Stud
201524E	15417	Eyelet Cutting Carrier Lever Roller Screw Stud Nut

Parts for Machine No. 99w67

No.	Plate	Name
232038	15417	Eyelet Cutting Carrier Lever Slide Block
250890	15418	Eyelet Cutting Chip Spout
250891	15418	" " " " Extension (coil wire)
228F	13727	Eyelet Cutting Chip Spout Screw (2)
250892	15419	Eyelet Cutting Chip Spout Spring Cover
250893	15419	Eyelet Cutting Chip Spout Spring Cover Block
190D	13718	Eyelet Cutting Chip Spout Spring Cover Block Screw
50067B	15419	Eyelet Cutting Chip Spout Spring Cover Screw
232042	15423	Eyelet Cutting Driving Wheel with 50084E
232043	15419	Eyelet Cutting Driving Wheel Lock
232044	15419	" " " " " Spring
200051E	15419	Eyelet Cutting Driving Wheel Lock Spring Screw
228026	15419	Eyelet Cutting Driving Wheel Lock Spring Screw Washer
232724	15419	Eyelet Cutting Driving Wheel Lock Stop Plate
1094E	15419	Eyelet Cutting Driving Wheel Lock Stop Plate Screw
232150	15419	Eyelet Cutting Driving Wheel Position Pin
50084E	15419	Eyelet Cutting Driving Wheel Set Screw
250883	15423	Eyelet Cutting Lever (lower)
250884	15419	" " " " Block with 224373
224373	15419	Eyelet Cutting Lever (lower) Block Position Pin
966E	15419	Eyelet Cutting Lever (lower) Block Set Screw
250894	15420	Eyelet Cutting Lever (lower) Cam with 448c
40025	15417	Eyelet Cutting Lever (lower) Cam Position Pin
448c	15417	Eyelet Cutting Lever (lower) Cam Set Screw
250895	15423	Eyelet Cutting Lever (upper) with 232482 and two 232483
250896	15420	Eyelet Cutting Lever (upper) Cam with 448c

Parts for Machine No. 99w67

No.	Plate	Name
40025	15417	Eyelet Cutting Lever (upper) Cam Position Pin
448c	15417	Eyelet Cutting Lever (upper) Cam Set Screw
250897	15420	Eyelet Cutting Lever Bracket with 200083E
255534	15420	Eyelet Cutting Lever Bracket Gib (left)
350304E	15419	Eyelet Cutting Lever Bracket Gib (left) Screw (3)
232050	15420	Eyelet Cutting Lever Bracket Gib (right)
201176E	15419	Eyelet Cutting Lever Bracket Gib (right) Screw (3)
232380	15419	Eyelet Cutting Lever Bracket Gib Adjusting Plate (2)
219E	15419	Eyelet Cutting Lever Bracket Gib Adjusting Plate Screw (4)
206482	15419	Eyelet Cutting Lever Bracket Gib Adjusting Plate Screw Washer (4)
232051	15419	Eyelet Cutting Lever Hinge Stud
200083E	15419	" " " " " Set Screw
232052	13707	Eyelet Cutting Lever Spring
232482	13707	" " " " Bracket
232483	13707	" " " " " Pin
250805	15420	Eyelet Cutting Pressure Wedge with 232056
201155D	13707	Eyelet Cutting Pressure Wedge Adjusting Screw
250538	—	Eyelet Cutting Pressure Wedge Adjusting Screw 201155D with 2273, 201672E, 232054 and 232055
232054	13707	Eyelet Cutting Pressure Wedge Adjusting Screw Collar
232055	13707	Eyelet Cutting Pressure Wedge Adjusting Screw Collar Position Pin
232466	13707	Eyelet Cutting Pressure Wedge Adjusting Screw Lock Spring
662D	13707	Eyelet Cutting Pressure Wedge Adjusting Screw Lock Spring Screw
201672E	13707	Eyelet Cutting Pressure Wedge Adjusting Screw Nut
2273	13707	Eyelet Cutting Pressure Wedge Adjusting Screw Nut Pin

Parts for Machine No. 99w67

No.	Plate	Name
232056	13707	Eyelet Cutting Pressure Wedge Boss
232057	13707	Eyelet Cutting Pressure Wedge Post with 662D and 232466
200122H	15419	Eyelet Cutting Pressure Wedge Post Screw
250840	15417	Eyelet Cutting Punch, $\frac{1}{8}$ in. diameter
250841	15417	Eyelet Cutting Punch, $\frac{3}{8}$ in. diameter
250842	15417	Eyelet Cutting Punch, $\frac{1}{4}$ in. diameter
		Note: No. 250842 is furnished with this machine unless another Eyelet Cutting Punch is specified on order.
250843	15417	Eyelet Cutting Punch, $\frac{3}{4}$ in. diameter
250844	15417	Eyelet Cutting Punch, $\frac{5}{8}$ in. diameter
250898	15419	Eyelet Cutting Punch Holder with 219E
200122H	15419	Eyelet Cutting Punch Holder Adjusting Screw (2)
219E	15419	Eyelet Cutting Punch Set Screw
232822	15419	" " " Stop
237E	15419	" " " " Screw
232512	15423	" " Shaft
232383	15423	" " " Hand Crank with 201484c
350290H	—	Eyelet Cutting Shaft Hand Crank Cap Screw
201484c	13707	Eyelet Cutting Shaft Hand Crank Position Screw
203172	15414	Eyelet Cutting Shaft Hand Crank Washer
232475	15435	Eyelet Cutting Shaft Pulley (loose) with eight 232817
232513	13707	Eyelet Cutting Shaft Pulley Bushing
232817	15419	" " " " Stud
232063	15423	" " Starting Lever with 201085c
232718	13707	Eyelet Cutting Starting Lever Hinge Stud
200530E	15419	Eyelet Cutting Starting Lever Hinge Stud Set Screw
232064	13707	Eyelet Cutting Starting Lever Latch
350148D	15419	" " " " " Hinge Screw

Parts for Machine No. 99w67

No.	Plate	Name
201531E	15417	Eyelet Cutting Starting Lever Latch Hinge Screw Nut
232065	13707	Eyelet Cutting Starting Lever Latch Spring
201218E	13707	Eyelet Cutting Starting Lever Latch Spring Screw Stud (2)
200E	15421	Eyelet Cutting Starting Lever Latch Stop Screw
232831	15420	Eyelet Cutting Starting Lever Lock
110c	13707	" " " " " Screw (2)
201085c	13707	Eyelet Cutting Starting Lever Restoring Screw Stud
232067	13710	Eyelet Cutting Starting Lever Support
200036D	13710	Eyelet Cutting Starting Lever Support Screw
232726	13710	Eyelet Position Gauge
1423E	13707	" " " Screw
203149	13941	" " " " Washer
232520	15423	Face Plate
641D	15421	" " Screw (2)
232521	15420	Feed Adjusting Gear
232522	15423	" " " Bracket
232523	15423	" " " " Clamp ing Post
129E	13710	Feed Adjusting Gear Bracket Clamping Post Screw (2)
524c	13710	Feed Adjusting Gear Bracket Screw
1245c	13710	" " " Screw Stud
232525	15420	" Driving Gear (intermediate) with 457c
232721	13710	Feed Driving Gear (intermediate) Position Pin
457c	15417	Feed Driving Gear (intermediate) Set Screw
232526	15420	Feed Driving Gear (intermediate) Shaft
232527	15420	Feed Hand Ratchet Lever
250899	15420	" " " " Pawl
1359E	13710	" " " " " Hinge Screw
250977	15425	Feed Wheel
232864	15425	" " Chip Guard
200085E	15421	" " " " Screw
9525	15421	" " " " Washer
232530	13710	" " Driving Pawl
201385c	13710	" " " " Screw
255537	15421	" " " " Spring

Parts for Machine No. 99w67

No.	Plate	Name
232130	13710	Feed Wheel Driving Rack (return feed)
201207D	15421	Feed Wheel Driving Rack Screw
250985	15425	" " " Ring
250981	15425	" " " " Friction Spring
250982	15421	Feed Wheel Driving Ring Friction Spring Adjusting Block
350323c	15421	Feed Wheel Driving Ring Friction Spring Adjusting Screw
250983	15421	Feed Wheel Driving Ring Friction Spring Adjusting Screw Guide Bracket with two 232310
232310	15421	Feed Wheel Driving Ring Friction Spring Adjusting Screw Guide Bracket Position Pin
250984	15421	Feed Wheel Driving Ring Friction Spring Adjusting Screw Spring
59D	15421	Feed Wheel Driving Ring Friction Spring Screw
250980	15421	Feed Wheel Driving Ring Retaining Washer
164D	15421	Feed Wheel Driving Ring Retaining Washer Screw
201362c	15421	Feed Wheel Screw Stud
250903	--	Feed Wheel complete, Nos. 59D, 164D, 201362c, 201384D, 232130, 232269, 232425, 232426, 250907, 250928, 250977 to 250979, 250981 to 250985, 350323c, two each 200055D, 200581D, 201207D, 250980, three each 201385c, 232530 and 255537
250904	15425	Feed Wheel Overthrow Safety Lever
1301c	15421	Feed Wheel Overthrow Safety Lever Hinge Screw
250905	15425	Feed Wheel Overthrow Safety Lever Operating Lever
350305c	15421	Feed Wheel Overthrow Safety Lever Operating Lever Screw Stud
250906	15421	Feed Wheel Overthrow Safety Lever Spring
193E	13701	Feed Wheel Overthrow Safety Lever Spring Screw
7071	13718	Feed Wheel Overthrow Safety Lever Spring Screw Washer

Parts for Machine No. 99w67

No.	Plate	Name
250907	15421	Feed Wheel Overthrow Stop Plate
200581H	15421	" " " " "
		Screw
250908	15420	Finger Starting Bell Crank
35D	15421	" " " " Hinge
		Screw
232833	15420	Finger Starting Connection
183D	15421	" " " " Screw (2)
250909	15425	" " Lever with 250435 and 250972
250419	15421	Finger Starting Lever Hinge Block
350080D	15421	" " " " "
		Hinge Screw
200097c	15421	Finger Starting Lever Screw
228026	15419	" " " Screw Washer
251518	15421	" " " Spring
250435	15421	" " " Stud (back)
250972	15421	" " " " (front)
232838	15422	" " Rod
232839	15421	" " " Collar (back)
		with 237F
237F	15419	Finger Starting Rod Collar (back)
		Screw
232840	15421	Finger Starting Rod Collar (front)
		with 201288D
201288D	15421	Finger Starting Rod Collar (front)
		Screw
2273	13707	Finger Starting Rod Pin
250811	15422	Intermittent Feed Driving Wheel
		with two 465c
*232540	---	Intermittent Feed Driving Wheel
		Bracket
232244	13701	Intermittent Feed Driving Wheel
		Bracket Position Pin (2)
129E	13710	Intermittent Feed Driving Wheel
		Bracket Screw (4)
250589	15424	Intermittent Feed Driving Wheel
		Driving Stud
204648	15424	Intermittent Feed Driving Wheel
		Driving Stud Position Pin
232541	15424	Intermittent Feed Driving Wheel
		Position Pin
465c	15424	Intermittent Feed Driving Wheel
		Set Screw
232542	15422	Intermittent Feed Driving Wheel
		Shaft
232452	15422	Intermittent Feed Driving Wheel
		Shaft Gear with two 465c

Parts for Machine No. 99w67

No.	Plate	Name
12509	15424	Intermittent Feed Driving Wheel
		Shaft Gear Position Pin
465c	15424	Intermittent Feed Driving Wheel
		Shaft Gear Set Screw
255528	15424	Looper
255529	15424	" Adjusting Gib
232546	15424	" Carrier
232547	13716	" " Crank (driven)
200543H	13716	" " " " Cap Screw
232550	13716	" " " (driving)
*232548	13716	" " " Driving Connec- tion
255505	---	Looper Carrier Crank Driving Con- nection 232548 with 232549
232310	15421	Looper Carrier Crank Driving Con- nection Position Pin
208D	13716	Looper Carrier Crank Driving Con- nection Screw (2)
*232549	13716	Looper Carrier Crank Driving
		Spiral with 906E
232055	13707	Looper Carrier Crank Driving
		Spiral Position Pin
906E	13716	Looper Carrier Crank Driving
		Spiral Set Screw
232551	13716	Looper Carrier Crank Bracket
193D	13701	" " " " Screw
		(2)
350064c	15424	Looper Carrier Hinge Screw (2)
232552	13716	" " " " Bushing
		(2)
201488F	13716	Looper Screw
232553	15422	" and Under Needle Carrier
		with 232634
201659c	13716	Looper and Under Needle Carrier
		Adjusting Nut
201659c	13716	Looper and Under Needle Carrier
		Adjusting Nut Locking Nut
*232554	---	Looper and Under Needle Carrier
		Frame with 232558 and three 896E
232866	15424	Looper and Under Needle Carrier
		Frame Position Pin (2)
201082E	13716	Looper and Under Needle Carrier
		Frame Screw (3)
232555	13716	Looper and Under Needle Carrier
		Rotating Gear with 906E
232556	13716	Looper and Under Needle Carrier
		Rotating Gear Position Stud
906E	13716	Looper and Under Needle Carrier
		Rotating Gear Set Screw

Parts for Machine No. 99w67

No.	Plate	Name
232557	13716	Looper and Under Needle Driving Bar
*232558	—	Looper and Under Needle Driving Bar Bearing
896E	13716	Looper and Under Needle Driving Bar Bearing Screw
232559	13716	Looper and Under Needle Driving Connection with 232711
255514	15414	Looper and Under Needle Driving Crank
1239D	15414	Looper and Under Needle Driving Crank Cap Screw
255524	15414	Looper and Under Needle Driving Crank Locking Stud
255516	15414	Looper and Under Needle Driving Crank Locking Stud Spring
201144E	15414	Looper and Under Needle Driving Crank Locking Stud Spring Screw
255525	15414	Looper and Under Needle Driving Shaft
255526	—	Looper and Under Needle Driving Shaft 255525 with 1239D, 201144E, 255514, 255516 and 255524
232561	15422	Looper and Under Needle Driving Shaft Bushing
208D	13716	Looper and Under Needle Driving Shaft Bushing Screw (2)
255535	15424	Looper and Under Needle Driving Fork with 200E, 255536 and two 233D
255536	15424	Looper and Under Needle Driving Fork Plate
233D	13728	Looper and Under Needle Driving Fork Plate Screw
232343	15424	Looper and Under Needle Driving Fork Position Pin
200E	15421	Looper and Under Needle Driving Fork Set Screw
232563	15422	Looper and Under Needle Driving Gear with 465E
232340	15424	Looper and Under Needle Driving Gear Position Pin
465E	15424	Looper and Under Needle Driving Gear Set Screw
255517	15414	Looper and Under Needle Driving Lever with 175D
1301C	15421	Looper and Under Needle Driving Lever Hinge Screw

Parts for Machine No. 99w67

No.	Plate	Name
175D	15424	Looper and Under Needle Driving Lever Pinch Screw
232565	15424	Looper and Under Needle Driving Lever Link with two 208D
201367F	15424	Looper and Under Needle Driving Lever Link Hinge Screw (2)
208D	13716	Looper and Under Needle Driving Lever Link Pinch Screw
232566	15424	Looper and Under Needle Driving Link with 185H and two 208D
199D	15424	Looper and Under Needle Driving Link Cap Screw
185H	15424	Looper and Under Needle Driving Link Pinch Screw
208D	13716	Looper and Under Needle Driving Link Screw
250835	15422	Needle Bar
232177	15424	" " Bushing
232178	15424	" " Connecting Link
232709	15424	" " " " Stud with 222598
222598	—	Needle Bar Connecting Link Stud Oil Packing (wick)
200382C	15424	Needle Bar Connecting Link Stud Set Screw
232176	15424	Needle Bar Driving Collar with 200083E
200083E	15419	Needle Bar Driving Collar Pinch Screw
252568	15422	Needle Bar Driving Crank with 200394C and two 200382C
40025	15417	Needle Bar Driving Crank Position Pin
200394C	15424	Needle Bar Driving Crank Set Screw
232569	15424	Needle Bar Driving Swivel with 222598
222598	—	Needle Bar Driving Swivel Oil Packing (wick)
232813	15424	Needle Bar Guide
203D	15424	" " " Screw
232814	15424	" " " " Washer
232571	13718	" " Rotating Gear
201661C	13718	" " " " Adjusting Nut with 171D
171D	13718	Needle Bar Rotating Gear Adjusting Nut Pinch Screw

Parts for Machine No. 99w67

No.	Plate	Name
232572	13718	Needle Guard with 232573
232573	13718	" " Position Pin
201381D	13718	" " Screw
232574	15424	" Holder (adjustable) with 735c
203D	15424	" " Screw
735c	15424	" Set Screw
232734	15425	Return Feed Arm
201475E	13718	" " " Hinge Screw
232735	13718	" " " Swivel
232736	13718	" " " Collar with 200119F
200119F	13718	Return Feed Arm Swivel Collar Set Screw
201437c	15436	Return Feed Arm Swivel Screw
1518E	13718	" " " " " Nut
232737	15425	" " " Connection with two 171E
171E	13718	Return Feed Connection Screw
250910	15425	" " Crank Shaft with 399D, 402D and 255501
232739	13718	Return Feed Crank Shaft Bushing
200100E	13701	" " " " " " Screw (2)
255501	15424	Return Feed Crank Shaft Cam Plate
399D	15424	" " " " " " Screw
402D	13727	Return Feed Crank Shaft Cam Plate Screw
232740	13718	Return Feed Crank Shaft Clutch Lock
232741	13718	Return Feed Crank Shaft Clutch Lock Plate
202E	13718	Return Feed Crank Shaft Clutch Lock Plate Screw
232742	13718	Return Feed Crank Shaft Clutch Lock Spring
203E	15424	Return Feed Crank Shaft Clutch Lock Spring Screw
7071	13718	Return Feed Crank Shaft Clutch Lock Spring Screw Washer
232743	13718	Return Feed Crank Shaft Clutch Plate
207E	13718	Return Feed Crank Shaft Clutch Plate Screw
232744	15422	Return Feed Crank Shaft Driver with 452c
2117	13718	Return Feed Crank Shaft Driver Pin

Parts for Machine No. 99w67

No.	Plate	Name
452c	13718	Return Feed Crank Shaft Driver Set Screw
232745	15425	Return Feed Crank Shaft Gear with six each 207E and 232743
201468H	13707	Return Feed Crank Shaft Screw
232746	15422	" " Driving Gear
145E	13718	" " " " Screw (2)
232747	15425	" " Gear Guard
1178D	13718	" " " " Screw (2)
232748	13718	" " Pawl
74D	13718	" " " Hinge Screw
232749	13718	" " " Spring
190D	13718	" " " " Screw
7071	13718	" " " " " Washer
232750	15425	" " Starting Lever
232751	13720	" " " " Adjust- ing Arm
1255D	13720	Return Feed Starting Lever Adjust- ing Arm Screw
226163	13720	Return Feed Starting Lever Adjust- ing Arm Screw Washer
232842	13720	Return Feed Starting Lever Adjust- ing Arm Spring
201160E	15424	Return Feed Starting Lever Adjust- ing Arm Spring Screw Eye
232752	13720	Return Feed Starting Lever Clutch Plate
232344	15426	Return Feed Starting Lever Clutch Plate Position Pin
178D	15426	Return Feed Starting Lever Clutch Plate Screw
232753	13720	Return Feed Starting Lever Guide Plate
203D	15424	Return Feed Starting Lever Guide Plate Screw
206482	15419	Return Feed Starting Lever Guide Plate Screw Washer
9D	15417	Return Feed Starting Lever Hinge Screw
232754	13720	Return Feed Starting Lever Latch with 232755
90D	13720	Return Feed Starting Lever Latch Hinge Screw
232755	13720	Return Feed Starting Lever Latch Pin
232756	13720	Return Feed Starting Lever Latch Spring
203D	15424	Return Feed Starting Lever Latch Spring Screw

Parts for Machine No. 99w67

No.	Plate	Name
206482	15419	Return Feed Starting Lever Latch Spring Screw Washer
232757	13720	Return Feed Starting Lever Releasing Lever
232758	13720	Return Feed Starting Lever Releasing Lever Safety Arm
898D	13720	Return Feed Starting Lever Releasing Lever Safety Arm Screw
39541	13720	Return Feed Starting Lever Releasing Lever Safety Arm Screw Washer
27E	13720	Return Feed Starting Lever Releasing Lever Hinge Screw
196F	13720	Return Feed Starting Lever Releasing Lever Stop Screw
232759	13720	Return Feed Starting Lever Trip with 232763
68D	13720	Return Feed Starting Lever Trip Hinge Screw
232760	13720	Return Feed Starting Lever Trip Lever
255502	15426	Return Feed Starting Lever Trip Lever Hinge Stud
357c	15426	Return Feed Starting Lever Trip Lever Hinge Stud Set Screw
232761	13720	Return Feed Starting Lever Trip Lever Link
200161D	15431	Return Feed Starting Lever Trip Lever Link Cap Screw
90D	13720	Return Feed Starting Lever Trip Lever Link Hinge Screw
232762	13720	Return Feed Starting Lever Trip Spring
217D	15417	Return Feed Starting Lever Trip Spring Screw
7071	13718	Return Feed Starting Lever Trip Spring Screw Washer
232763	13721	Return Feed Starting Lever Trip Stop Pin
232425	13721	Safety Cam
232426	13721	" " Position Pin
200055D	13721	" " Screw
232578	13722	" Lever
54C	13721	" " Hinge Screw
232428	13721	" " Spring
200310E	15426	" " " Screw
201356E	13721	" " " Stud (for Bed)
232381	13721	" Plate
200577H	13710	" " Screw (2)

Parts for Machine No. 99w67

No.	Plate	Name
232579	13722	Starting Lever with 200363c
232580	13722	" " Cam Plate
200574E	13721	" " " " Screw (2)
232235	13722	" " Lock with 201356E
201113c	13721	" " " Hinge Screw
232236	13721	" " " Spring
201356E	13721	" " " " Screw Stud
201358E	13721	" " " " " "
		(for Bed)
232581	13721	Starting Lever Locking Plate
200542c	13721	" " " " Screw
228026	15419	" " " " "
		Washer
201442c	15426	Starting Lever Position Screw
232238	13721	" " Roller
350306c	15426	" " " Screw
201522E	15426	" " " " Nut
200363c	13871	" " Set Screw
232582	13722	" " Unlocking Lever
42F	13721	" " " " Hinge Screw
201485c	13721	Starting Lever Unlocking Lever Stop Screw
201531H	15417	Starting Lever Unlocking Lever Stop Screw Nut
250911	15422	Starting Lever Unlocking Lever Tripping Point
1209c	13721	Starting Lever Unlocking Lever Tripping Point Screw
39541	13720	Starting Lever Unlocking Lever Tripping Point Screw Washer
232269	13721	Starting Lever Unlocking Lever Tripping Stud (for Feed Wheel)
232584	---	Stitch Regulating Gear, for 24 stitches
		Note: No. 232584 is furnished with this Machine unless another Stitch Regulating Gear is specified on order.
232585	---	Stitch Regulating Gear, for 27 stitches
232586	---	Stitch Regulating Gear, for 29 stitches
232587	13721	Stitch Regulating Gear, for 33 stitches
232588	---	Stitch Regulating Gear, for 36 stitches
232589	---	Stitch Regulating Gear, for 41 stitches

Parts for Machine No. 99w67

No.	Plate	Name
201660c	13721	Stitch Regulating Gear Lock Nut
232590	13722	" Rotating Lever (lower) with 456c
232719	15417	Stitch Rotating Lever (lower) Position Pin
201871	13721	Stitch Rotating Lever (lower) Roller
201115c	13723	Stitch Rotating Lever (lower) Roller Screw Stud
201666E	13723	Stitch Rotating Lever (lower) Roller Screw Stud Nut
456c	13941	Stitch Rotating Lever (lower) Set Screw
232591	13722	Stitch Rotating Lever (upper) with 448c
40025	15417	Stitch Rotating Lever (upper) Position Pin
448c	15417	Stitch Rotating Lever (upper) Set Screw
232807	13723	Stitch Rotating Lever Connection (front section) (lower)
232593	13723	Stitch Rotating Lever Connection (front section) (upper)
232808	13723	Stitch Rotating Lever Connection (rear section) (lower)
232592	13723	Stitch Rotating Lever Connection (rear section) (upper)
58r	13723	Stitch Rotating Lever Connection Hinge Screw (4)
172D	13723	Stitch Rotating Lever Connection Screw (lower)
193D	13701	Stitch Rotating Lever Connection Screw (upper)
39504	13723	Stitch Rotating Lever Connection Screw Washer (lower)
232717	15426	Stitch Rotating Lever Connection Screw Washer (upper)
232764	---	Stitch Rotating Lever Connection (lower) complete, Nos. 232807, 232808, two each 172D and 39504
250400	---	Stitch Rotating Lever Connection (upper) complete, Nos. 232592, 232593, 232717 and two 193D
232595	13722	Stitch Rotating Lever Rock Shaft
232596	13722	" " Sector (lower)
232597	13722	" " " " Bracket
690D	13723	" " " " " Screw

Parts for Machine No. 99w67

No.	Plate	Name
226163	13720	Stitch Rotating Sector (lower) Bracket Screw Washer
232861	15425	Stitch Rotating Sector (lower) Guard
934D	15426	Stitch Rotating Sector (lower) Guard Screw (2)
201363c	13723	Stitch Rotating Sector (lower) Hinge Screw
232598	13722	Stitch Rotating Sector (upper)
232599	15427	" " " " Bracket
201395D	13723	Stitch Rotating Sector (upper) Bracket Screw (2)
232849	15429	Stitch Rotating Sector (upper) and Gear Guard with two 448c
232862	15429	Stitch Rotating Sector (upper) and Gear Guard Cover
1143D	15426	Stitch Rotating Sector (upper) and Gear Guard Cover Screw (2)
448c	15417	Stitch Rotating Sector (upper) and Gear Guard Set Screw
250912	15426	Stop Button
232259	13723	" " Pin
251026	15416	" Lever with 200352c
255503	15429	" " Bracket with 357c
350263E	15414	" " " Screw
232765	15427	" " Extension Lever
52c	13723	" " " " Hinge Screw
232766	13723	Stop Lever Extension Lever Spring
201467c	15426	" " " " Stop Screw
1517E	15426	Stop Lever Extension Lever Stop Screw Nut
232263	15426	Stop Lever Friction Pad (rawhide)
200110D	15417	" " " " Screw (2)
255099	15414	" " Interlocking Slide
201084c	15426	" " " " Adjusting Screw
201628E	15426	Stop Lever Interlocking Slide Adjusting Screw Nut
1178D	13718	Stop Lever Interlocking Slide Screw
232265	15426	" " " " " Washer
250416	15427	Stop Lever Interlocking Slide Spring
232261	15427	" " Lock
200061D	13701	" " " Screw (2)
201442c	15426	" " Position Screw

Parts for Machine No. 99w67

No.	Plate	Name
200352c	13871	Stop Lever Set Screw
232267	15427	" " Shaft
232268	15427	" " Spring
201110d	15426	" " " Screw
250913	15426	Thread Clamping Blade
250914	15426	" Cutting Blade
250915	15426	" " " Connecting Rod
250973	15426	" " " " "
		Connection
110c	13707	Thread Cutting Blade Connecting Rod Connection Hinge Screw
350265c	15426	Thread Cutting Blade Connecting Rod Hinge Screw
1695E	15426	Thread Cutting Blade Connecting Rod Nut
250974	—	Thread Cutting Blade Connecting Rod complete, Nos. 1695E, 250915 and 250973
250918	15427	Thread Cutting Blade Operating Arm (adjustable)
172d	13723	Thread Cutting Blade Operating Arm Adjusting Screw
228026	15419	Thread Cutting Blade Operating Arm Adjusting Screw Washer
250814	15426	Thread Cutting Blade Operating Cam with 462c
232721	13710	Thread Cutting Blade Operating Cam Position Pin
462c	15426	Thread Cutting Blade Operating Cam Set Screw
250815	15429	Thread Cutting Blade Operating Connection
23414	13723	Thread Cutting Blade Operating Connection Collar with two 453c
453c	13701	Thread Cutting Blade Operating Connection Collar Set Screw
741c	15426	Thread Cutting Blade Operating Connection Screw
1521E	15426	Thread Cutting Blade Operating Connection Screw Nut
250816	15427	Thread Cutting Blade Operating Fork with 200019E
200019E	13871	Thread Cutting Blade Operating Fork Clamping Screw
250919	15427	Thread Cutting Blade Operating Fork Shaft
201468H	13707	Thread Cutting Blade Operating Fork Shaft Cap Screw

Parts for Machine No. 99w67

No.	Plate	Name
232779	15427	Thread Cutting Blade Operating Fork Spring
250817	15429	Thread Cutting Blade Operating Lever
56F	15426	Thread Cutting Blade Operating Lever Hinge Screw
250920	15427	Thread Cutting Blade Operating Rod
250921	15427	Thread Cutting Blade Operating Rod Bracket
207F	13718	Thread Cutting Blade Operating Rod Bracket Screw
250923	15426	Thread Cutting Blade Operating Rod Collar (back) with 237F
250924	15426	Thread Cutting Blade Operating Rod Collar (front) with 237F
2273	13707	Thread Cutting Blade Operating Rod Collar (front) Pin
40045	15431	Thread Cutting Blade Operating Rod Collar (front) Washer (raw hide)
237F	15419	Thread Cutting Blade Operating Rod Collar Set Screw
99c	15428	Thread Cutting Blade Operating Rod Hinge Screw
250975	15428	Thread Cutting Blade Operating Rod Lever
974F	15428	Thread Cutting Blade Operating Rod Lever Hinge Screw
250976	15428	Thread Cutting Blade Operating Rod Spring
219F	15419	Thread Cutting Blade Screw
251008	15428	" " " Shaft
249828	15428	" " " " Crank with 906c
232105	15428	Thread Cutting Blade Shaft Crank Pin
906c	13716	Thread Cutting Blade Shaft Crank Set Screw
250926	15428	Thread Cutting Retrimming Operating Lever with 191c
250978	15428	Thread Cutting Retrimming Operating Lever Cam Plate
250979	15428	Thread Cutting Retrimming Operating Lever Cam Plate Position Pin
201384D	15428	Thread Cutting Retrimming Operating Lever Cam Plate Screw

Parts for Machine No. 99w67

No.	Plate	Name
250928	15428	Thread Cutting Retrimming Operating Lever Cam Plate Separator Collar
191c	15428	Thread Cutting Retrimming Operating Lever Set Screw
250929	15427	Thread Cutting Retrimming Rod
250930	15428	" " " "
		Collar with 237F
237F	15419	Thread Cutting Retrimming Rod Collar Set Screw
350307c	15428	Thread Cutting Retrimming Screw Bushing
250931	15428	Throat Plate
232632	15428	" " Holder with 201365c and 201368E
201365c	15428	Throat Plate Holder Adjusting Screw
201368E	15428	Throat Plate Holder Adjusting Screw Clamp Screw
201386c	15428	Throat Plate Holder Hinge Screw
191d	15428	" " " Lock Adjusting Screw
232811	15428	Throat Plate Holder Lock Section (front)
232812	15428	Throat Plate Holder Lock Section (rear)
232633	—	Throat Plate Holder Lock complete. Nos. 191d, 232811 and 232812
200097c	15421	Throat Plate Holder Lock Screw
201486c	15428	" " " Position Screw
201674H	15428	" " " " "
		Nut
10107	15428	Throat Plate Holder Position Screw Spring
232634	15428	Throat Plate Holder Stop Stud
232635	15429	" " Locking Ring
200574E	13721	" " " " Screw (3)
50168E	13727	" " Screw
226163	13720	" " " Washer
250867	15428	" " Shim, .005, .010, .012 .015 or .025 in. thick
226D	13710	Throat Plate Stop Screw
232636	13727	" " Tipping Point
190D	13718	" " " " Screw
7071	13718	" " " " "
		Washer

Parts for Machine No. 99w67

No.	Plate	Name
250821	15431	Under Needle Carrier
232638	13727	" " " Bracket
193D	13701	" " " " Screw
350067E	15428	" " " Cap Screw
232850	15431	" " " " "
		Washer
*232639	13727	Under Needle Carrier Connecting Link with four 220D
255506	—	Under Needle Carrier Connecting Link 232639 with two 201379c
201379c	13727	Under Needle Carrier Connecting Link Ball Screw
220D	13727	Under Needle Carrier Connecting Link Screw
232640	13727	Under Needle Clamping Plate with 232310
232310	15421	Under Needle Clamping Plate Position Pin
350248H	15414	Under Needle Clamping Plate Screw
232829	13727	" " Stop Plate
232711	13727	" " Thread Bushing
232646	13727	" " " Controller Plate
232648	13727	" " " Guide
228F	13727	" " " " Screw (2)
232863	15431	" " " " Wire
229D	15431	" " " " " Screw
232516	15429	" " " Leader (brass)
232517	13727	" " " " Bracket (2)
190D	13718	" " " " " Screw (4)
991c	13727	Under Needle Thread Nipper Adjusting Screw
1550J	13727	Under Needle Thread Nipper Adjusting Screw Nut
232649	13727	Under Needle Thread Nipper Block
402D	13727	" " " " " Screw (2)
232650	13727	Under Needle Thread Nipper Lever
35c	15421	" " " " " Hinge Screw
201354E	13727	Under Needle Thread Nipper Screw Stud
194c	13727	Under Needle Thread Nipper Screw Stud Guide Screw
201657c	13727	Under Needle Thread Nipper Screw Stud Nut (thread nipping)
232651	13727	Under Needle Thread Nipper Screw Stud Spring

From the library of: Diamond Needle Corp

Parts for Machine No. 99w67

No.	Plate	Name
232652	13727	Under Needle Thread Pull-off
217F	15417	" " " " Screw
232653	15427	" " " " Tension Bracket
691F	15431	Under Needle Thread Tension Bracket Screw (2)
2102	13727	Under Needle Thread Tension Disc (2)
1560c	13727	Under Needle Thread Tension Regulating Thumb Nut
201361c	13727	Under Needle Thread Tension Screw Stud
232515	13727	Under Needle Thread Tension Spring
250875	15431	Under Thread Clamping Spring and Cutter
200186B	13728	Under Thread Clamping Spring and Cutter Screw
232654	13728	Upper Needle Thread Guide
1159F	13728	" " " " Set Screw
232792	15427	Upper Needle Thread Leader
1664E	13728	" " " " Nut
232655	13728	" " " " Pull-off
232656	13728	" " " " Guide Bracket with 196F
40045	15431	Upper Needle Thread Pull-off Guide Bracket Washer (rawhide)
232657	13733	Upper Needle Thread Pull-off Lever (front section)
232658	13733	Upper Needle Thread Pull-off Lever (rear section)
190D	13718	Upper Needle Thread Pull-off Lever Adjusting Screw
7071	13718	Upper Needle Thread Pull-off Lever Adjusting Screw Washer
201364c	13728	Upper Needle Thread Pull-off Lever Driving Screw Stud
201466E	13728	Upper Needle Thread Pull-off Lever Hinge Screw
232659	13728	Upper Needle Thread Pull-off Lever Spring
200294H	13728	Upper Needle Thread Pull-off Lever Spring Stop Screw
201372c	13728	Upper Needle Thread Pull-off Screw Bushing
196F	13720	Upper Needle Thread Pull-off Set Screw

Parts for Machine No. 99w67

No.	Plate	Name
232660	13728	Upper Needle Thread Take-up with two 457c
232244	13701	Upper Needle Thread Take-up Position Pin
457c	15417	Upper Needle Thread Take-up Set Screw
232661	13728	Upper Needle Thread Take-up Thread Guide
232662	13733	Upper Needle Thread Take-up Thread Guide Bracket with 735c and 1159F
232794	15431	Upper Needle Thread Take-up Thread Guide Bracket Plate
233D	13728	Upper Needle Thread Take-up Thread Guide Bracket Plate Screw
160D	13710	Upper Needle Thread Take-up Thread Guide Bracket Screw (3)
232663	—	Upper Needle Thread Take-up Thread Guide Bracket complete, Nos. 232654, 232661, 232662, 232664 to 232666, 232794 and six 233D
232664	15431	Upper Needle Thread Take-up Thread Guide Hinge Pin
735c	15424	Upper Needle Thread Take-up Thread Guide Hinge Pin Set Screw
232665	15431	Upper Needle Thread Take-up Thread Guide Spring Latch
233D	13728	Upper Needle Thread Take-up Thread Guide Spring Latch Screw
232666	15431	Upper Needle Thread Take-up Thread Stripper
233D	13728	Upper Needle Thread Take-up Thread Stripper Screw
232667	13733	Upper Needle Thread Tension Bracket
232343	15424	Upper Needle Thread Tension Bracket Position Pin
160D	13710	Upper Needle Thread Tension Bracket Screw
32012	15431	Upper Needle Thread Tension Disc (2)
1560c	13727	Upper Needle Thread Tension Regulating Thumb Nut
232668	13733	Upper Needle Thread Tension Releaser Arm
32D	15431	Upper Needle Thread Tension Releaser Arm Hinge Screw

Parts for Machine No. 99w67

No.	Plate	Name
1620E	15431	Upper Needle Thread Tension Releaser Arm Hinge Screw Nut
232795	15430	Upper Needle Thread Tension Releaser Cam with 209F
232721	13710	Upper Needle Thread Tension Releaser Cam Pin
209F	15431	Upper Needle Thread Tension Releaser Cam Set Screw
232796	13733	Upper Needle Thread Tension Releaser Connection (lower section)
232797	13733	Upper Needle Thread Tension Releaser Connection (upper section)
940F	15431	Upper Needle Thread Tension Releaser Connection Hinge Screw
203D	15424	Upper Needle Thread Tension Releaser Connection Screw (2)
7071	13718	Upper Needle Thread Tension Releaser Connection Screw Washer (2)
232434	15431	Upper Needle Thread Tension Releaser Connection Spring
201160E	15424	Upper Needle Thread Tension Releaser Connection Spring Screw Eye (2)
32572	15431	Upper Needle Thread Tension Releasing Disc
39635	15431	Upper Needle Thread Tension Releasing Pin
1388c	15431	Upper Needle Thread Tension Screw Stud
13710	15431	Upper Needle Thread Tension Spring
232799	15431	Upper Needle Thread Tension Thread Guide
250866	15429	Vertical Shaft with two each 204648 and 250589
255522	15416	Vertical Shaft Bevel Gear (lower) with two 453c
232719	15417	Vertical Shaft Bevel Gear (lower) Position Pin
453c	13701	Vertical Shaft Bevel Gear (lower) Set Screw
232673	13733	Vertical Shaft Bevel Gear (upper) (order Position Screw or Set Screw as required)
40025	15417	Vertical Shaft Bevel Gear (upper) Position Pin

Parts for Machine No. 99w67

No.	Plate	Name
350225E	15414	Vertical Shaft Bevel Gear Position Screw
232713	15430	Vertical Shaft Bushing (lower)
1149c	15431	" " " " Set Screw
232710	15430	Vertical Shaft Bushing (upper)
575c	15431	" " " " Set Screw
250932	15429	Work Clamp Arm (left)
250933	15429	" " " (right)
250934	15429	" " " Bracket (left)
250935	15429	" " " " (right)
201129D	15431	" " " " Screw (back)
200161D	15431	Work Clamp Arm Bracket Screw (front)
253666	15431	Work Clamp Arm Cam with 209F
2269	15431	" " " " Position Pin
209F	15431	" " " " Set Screw
250936	15431	" " " " Shaft (left)
250937	15433	" " " " (right)
201237E	15433	" " " " Stop Screw
201537H	15433	" " " " " " Nut
252184	15433	Work Clamp Arm Hinge Block
350123E	15433	" " " " " " Hinge Screw
200051E	15419	Work Clamp Arm Screw
13218	15433	" " " " Spring
350106E	15433	" " " " Screw
250938	15429	" " " " Base (left) with 232304
250939	—	" " " " 250938 with 194c, 217E, 792D, 7071, 10249, 13218, 200051E, 200097C, 200161D, 200186N, 201237E, 201537H, 203149, 228026, 232154, 250236, 250241, 250419, 250551, 250875, 250909, 250932, 250934, 250936, 250942, 250945, 250950, 250955, 250958, 250966, 251518, 251519, 252184, 253666, 255003, 255016, 255093, 350080D, 350106E, two each 237E, 2269, 201129D, 350123E, four 1443F and five 934H
250236	15429	Work Clamp Base (left) Guard
934H	15426	" " " " " " Screw
250940	15429	" " " " (right) with 232304

From the library of: Diamond Needle Corp

Parts for Machine No. 99w67

No.	Plate	Name
250941	—	Work Clamp Base (right) 250940 with 99c, 110c, 792D, 974F, 2273, 13218, 40045, 200051E, 200161D, 201237E, 201537H, 203149, 232154, 250238, 250242, 250275, 250920, 250921, 250923, 250924, 250933, 250935, 250937, 250943, 250944, 250950, 250957, 250958, 250964, 250967, 250974 to 250976, 252184, 253666, 255003, 255016, 255094, 350106E, 350265c, two each 237F, 2269, 201129D, 350123E, four each 207E, 1443F and five 934H
250238	15429	Work Clamp Base (right) Guard
934H	15426	" " " " " " Screw
250942	15429	Work Clamp Base Clamping Plate (left)
250943	15429	Work Clamp Base Clamping Plate (right)
250945	15433	Work Clamp Base Clamping Plate Hinge Plate (left)
250944	15433	Work Clamp Base Clamping Plate Hinge Plate (right)
237F	15419	Work Clamp Base Clamping Plate Hinge Plate Screw
250946	15430	Work Clamp Base Clamping Plate Lifting Lever
940F	15431	Work Clamp Base Clamping Plate Lifting Lever Hinge Screw
250947	15430	Work Clamp Base Clamping Plate Lifting Lever Link
766c	15433	Work Clamp Base Clamping Plate Lifting Lever Link Hinge Screw (2)
250948	15430	Work Clamp Base Clamping Plate Lifting Lever Rack
232327	15433	Work Clamp Base Clamping Plate Lifting Lever Rack Gear
200679c	15433	Work Clamp Base Clamping Plate Lifting Lever Rack Gear Stud
250949	15433	Work Clamp Base Clamping Plate Lifting Lever Support
196F	13720	Work Clamp Base Clamping Plate Lifting Lever Support Screw (2)
250950	15433	Work Clamp Base Clamping Plate Spring
1443F	15426	Work Clamp Base Clamping Plate Spring Screw

Parts for Machine No. 99w67

No.	Plate	Name
232304	15433	Work Clamp Base Hinge Stud
250951	15435	" " " Lock Plate
50058D	15433	" " " " " Screw (2)
232678	15434	Work Clamp Base Locking Spring (left)
232679	15434	Work Clamp Base Locking Spring (right)
110c	13707	Work Clamp Base Locking Spring Adjusting Screw
217F	15417	Work Clamp Base Locking Spring Screw (2)
7071	13718	Work Clamp Base Locking Spring Screw Washer (2)
250241	15433	Work Clamp Base Spring (left)
250242	15433	" " " " (right)
1443F	15426	" " " " " Screw
201451E	15433	" " " " " Stud (2)
232309	15433	Work Clamp Base Stop Block
232310	15421	" " " " " " Position Pin
201148H	15433	Work Clamp Base Stop Block Screw
250952	15435	Work Clamp Carrier Base Plate
232462	13733	" " " " " " Slide Rod
201643E	15433	Work Clamp Carrier Base Plate Slide Rod Nut
200119D	13718	Work Clamp Carrier Base Plate Slide Rod Nut Set Screw
232283	15430	Work Clamp Carrier Regulator with 201102c and 201868
201124E	15433	Work Clamp Carrier Regulator Adjusting Screw Stud
201662c	15433	Work Clamp Carrier Regulator Adjusting Screw Stud Nut
201125c	15433	Work Clamp Carrier Regulator Hinge Screw
201868	15433	Work Clamp Carrier Regulator Roller
201102c	15433	Work Clamp Carrier Regulator Roller Screw Stud
232684	15433	Work Clamp Carrier Regulator Slide Block
232685	15435	Work Clamp Carrier Side Throw Lever with 201097c, 201374E, 201530c and 201937

Parts for Machine No. 99w67

No.	Plate	Name
201371c	15433	Work Clamp Carrier Side Throw Lever Hinge Screw
201873	15433	Work Clamp Carrier Side Throw Lever Roller
201937	15433	Work Clamp Carrier Side Throw Lever Roller 201873 with 201144E and 232686
201144E	15414	Work Clamp Carrier Side Throw Lever Roller Cap Screw
232686	15433	Work Clamp Carrier Side Throw Lever Roller Stud
201374E	15433	Work Clamp Carrier Side Throw Lever Roller Stud Cap Screw
232321	15433	Work Clamp Carrier Side Throw Lever Slide Block
250953	15430	Work Clamp Carrier Side Throw Lever Slide Block Guide
231c	15433	Work Clamp Carrier Side Throw Lever Slide Block Guide Screw (2)
201097c	15433	Work Clamp Carrier Side Throw Lever Slide Block Screw Stud
201530E	15434	Work Clamp Carrier Side Throw Lever Slide Block Screw Stud Nut
232284	15435	Work Clamp Carrier Slide (left) with 200119D
232285	15435	Work Clamp Carrier Slide (right) with 200119D
255509	15415	Work Clamp Carrier Slide Gib (left back)
255510	15415	Work Clamp Carrier Slide Gib (left front)
255511	15415	Work Clamp Carrier Slide Gib (right back)
255512	15415	Work Clamp Carrier Slide Gib (right front)
1094E	15419	Work Clamp Carrier Slide Gib Screw
250954	15435	Work Clamp Carrier Slide Stay Plate
250597	15415	Work Clamp Carrier Slide Stay Plate Position Pin (2)
350316E	15434	Work Clamp Carrier Slide Stay Plate Screw (5)
250955	15434	Work Clamp Check (left)
250956	15434	" " " (thread cutting) with 232806

Parts for Machine No. 99w67

No.	Plate	Name
250957	----	Work Clamp Check (thread cutting) 250956 with 219F, 662D, 1348E, 201406E, 201489D, 232105, 24982S, 250913, 250914, 250959 to 250962 and 251908
250958	15434	Work Clamp Check Hinge Pin
250959	15434	" " " Thread Clamping Section
232806	15434	Work Clamp Check Thread Clamping Section Position Pin
201489D	15434	Work Clamp Check Thread Clamping Section Screw
250960	15434	Work Clamp Check Thread Clamping Section Separator Washer
250961	15434	Work Clamp Check Thread Clamping Section Spring
662D	13707	Work Clamp Check Thread Clamping Section Spring Screw
1348E	15434	Work Clamp Check Thread Clamping Section Support Screw Stud
250962	15434	Work Clamp Check Thread Cutting Blade
201406E	15434	Work Clamp Check Thread Cutting Blade Screw
250963	15435	Work Clamp Closing Lever
200233c	15434	" " " " Hinge Screw
250964	15430	Work Clamp Closing Lever (hand) with 209F
2269	15431	Work Clamp Closing Lever (hand) Position Pin
209F	15431	Work Clamp Closing Lever (hand) Set Screw
250965	15434	Work Clamp Closing Lever Spring
250966	15430	" " Connection Lever (left) with 209F
250967	15430	Work Clamp Connection Lever (right) with 735E
232154	15434	Work Clamp Connection Lever Position Pin
209F	15431	Work Clamp Connection Lever Set Screw
735E	15424	Work Clamp Connection Lever Set Screw
250968	15430	Work Clamp Opening Lever (back)
250551	15430	" " " " (front) with 1253c
250969	15430	Work Clamp Opening Lever Adjustable Section

Parts for Machine No. 99w67

No.	Plate	Name
172D	13723	Work Clamp Opening Lever Adjustable Section Screw
39541	13720	Work Clamp Opening Lever Adjustable Section Screw Washer
788D	13720	Work Clamp Opening Lever Hinge Screw
251519	15434	Work Clamp Opening Lever Latch
253679	15434	" " " " " Releasing Bracket with 200E, 1547J and 350218c
200E	15421	Work Clamp Opening Lever Latch Releasing Bracket Set Screw
350218c	15434	Work Clamp Opening Lever Latch Releasing Screw
1547J	15434	Work Clamp Opening Lever Latch Releasing Screw Nut
10249	15434	Work Clamp Opening Lever Latch Spring
217E	15417	Work Clamp Opening Lever Latch Spring Screw
7071	13718	Work Clamp Opening Lever Latch Spring Screw Washer
194c	13727	Work Clamp Opening Lever Latch Stop Screw
250970	15430	Work Clamp Opening Lever Operating Disc with 465c, 1330c and 1521E
12509	15424	Work Clamp Opening Lever Operating Disc Position Pin
1330c	15436	Work Clamp Opening Lever Operating Disc Screw Stud
1521E	15426	Work Clamp Opening Lever Operating Disc Screw Stud Nut
465c	15424	Work Clamp Opening Lever Operating Disc Set Screw
2269	15431	Work Clamp Opening Lever Position Pin
1253c	13710	Work Clamp Opening Lever Set Screw
250971	15430	Work Clamp Opening Rod
250274	15436	" " " " Guide with 808D
808D	15436	Work Clamp Opening Rod Guide Pinch Screw
106c	15436	Work Clamp Opening Rod Hinge Screw

Parts for Machine No. 99w67

No.	Plate	Name
250428	15436	Work Clamp Opening Rod Spring
250275	15436	" " " Stop (adjustable)
207E	13718	Work Clamp Opening Stop Screw
255003	15429	" " Spring
255016	15430	" " " Wear Plate
792D	15436	" " " " " Screw
255093	13941	" Position Gauge (left)
255094	13941	" " " (right)
1443E	15426	" " " Screw
203149	13941	" " " " Washer

SINGER Needles should be used
in SINGER Machines.
These Needles and their Containers
are marked with the
Company's Trade Mark "SIMANCO.**" 1

Needles in Containers marked
"FOR SINGER MACHINES"
are NOT **SINGER** made needles. 2

MACHINE No. 99w68

AUTOMATIC EYELET MACHINE

For Making Large Eyelets in Caps, Muslin, Knit
Goods, Denim and Other Fabrics

Same as Machine No. 99w67 with the following
exceptions:

No.	Plate	Name
251035	15419	Eyelet Cutting Chip Spout Spring Cover, in place of 250892
251034	15419	Eyelet Cutting Lever (lower) Block with 224373, in place of 250884
251036	15423	Eyelet Cutting Lever (upper) with 232482 and two 232483, in place of 250895
251037	15419	Eyelet Cutting Punch Holder with 219F, in place of 250898
251050	15425	Feed Wheel, in place of 250977
251039	—	Feed Wheel complete, Nos. 59D, 164D, 201362C, 201384D, 232130, 232269, 232425, 232426, 250907, 250928, 250978, 250979, 250981 to 250985, 251050, 350323C, two each 200055D, 200581H, 201207D, 250980, three each 201385C, 232530 and 255537, in place of 250903
251040	15428	Throat Plate, in place of 250931
251041	—	Work Clamp Base (left) 250938 with 194C, 217E, 792D, 707I, 10249, 13218, 200051E, 200097C, 200161D, 200186B, 201237E, 201537H, 203149, 228026, 232154, 250236, 250241, 250419, 250551, 250875, 250909, 250932, 250934, 250936, 250945, 250950, 250958, 250966, 251043, 251045, 251518, 251519, 252184, 253666, 255003, 255016, 255093, 350080D, 350106E, two each 237F, 2269, 201129D, 350123E, four 1443F and five 934H, in place of 250939

Parts for Machine No. 99w68

No.	Plate	Name
251042	—	Work Clamp Base (right) 250940 with 99C, 110C, 792D, 974F, 2273, 13218, 40045, 200051E, 200161D, 201237E, 201537H, 203149, 232154, 250238, 250242, 250275, 250920, 250921, 250923, 250924, 250933, 250935, 250937, 250944, 250950, 250958, 250964, 250967, 250974 to 250976, 251044, 251047, 252184, 253666, 255003, 255016, 255094, 350106E, 350265C, two each 237E, 2269, 201129D, 350123E, four each 207E, 1443E and five 934H, in place of 250941
251043	15429	Work Clamp Base Clamping Plate (left), in place of 250942
251044	15429	Work Clamp Base Clamping Plate (right), in place of 250943
251045	15434	Work Clamp Check (left), in place of 250955
251046	15434	Work Clamp Check (thread cutting) with 232806, in place of 250956
251047	—	Work Clamp Check 251046 with 219F, 662D, 1348E, 201406E, 201489D, 232105, 249828, 250913, 250914, 250960, 250961, 251008, 251048 and 251049, in place of 250957
251048	15434	Work Clamp Check Thread Clamping Section, in place of 250959
251049	15434	Work Clamp Check Thread Cutting Blade, in place of 250962

ACCESSORIES

FOR MACHINE No. 99w67

No.	Plate	Name
250858	15417	Eyelet Cutting Block (steel)
250842	15417	" " Punch, $\frac{1}{8}$ in. diameter
232585	—	Stitch Regulating Gear, for 27 stitches
250913	15426	Thread Clamping Blade
250914	15426	" Cutting Blade
232486	15435	Threading Wire (large)
250412	15432	" " (small)
255513	13741	Tweezers
142 x 7	—	Curved Under Needle, size 17
142 x 1	—	Upper Needle, six, size 16
232981	15416	Machine Rest with 232982 and two wood screws 1 in., No. 13
232982	—	Machine Rest Cushion (leather)
120346	15432	Oiler (copper plated) with 120347
120347	15432	" Spout, 9 in. long
11831	13741	Screw Driver, 5 in. blade (machine, large)
*225484	—	Screw Driver Blade
*250521	—	" " "
*225485	—	" " Handle
*225483	—	" " "
225498	13741	Screw Driver complete ($7\frac{1}{2}$ in long), Nos. 225484 and 225485
250522	13741	Screw Driver complete (for needle Set Screw), Nos. 225483 and 250521
232935	13741	Wrench (2)
232932	13741	"
8909	13741	"
10875	13741	" for 201524
23535	13741	" " 1697 and 1968
25200	13741	" " 1528 and 201643
249820	15432	" " 1550 and 350136
232900	13741	" " 201362 and 201668
255533	15432	"
232819	15432	"

THREAD UNWINDER

232417	13940	Spool Pin
225375	13940	" " (wood)
232895	13940	" " Arm with 759F

Accessories

No.	Plate	Name
232896	13940	Spool Pin Arm Bracket with two 448c
448c	15417	Spool Pin Arm Bracket Set Screw
448c	15417	" " " Set Screw
250424	13940	" " Cap
200159F	13941	" " " Screw
759F	13941	" " Thumb Set Screw
225323	13944	" Rest (for one spool) with 201018c
225325	13944	Spool Rest (for two spools) with 201018c
232987	13944	Spool Rest Cushion (felt)
250453	13944	" " (lower)
225388	13944	" " Rod (upper)
250454	13940	" " " Coupling with two 456c
456c	13941	Spool Rest Rod Coupling Set Screw
200383c	13871	" " " Set Screw
201018c	13941	" " Set Screw
202490	13944	" Stand with 200383c
225390	13940	Thread Cone Holder
250472	13940	" Cop Holder
225391	13940	" Guide
201696J	13941	" " Lock Nut
350192J	13941	" " Screw Stud
225393	13941	" " " Washer
200164B	13941	" " Stud Set Screw
225376	—	Thread Unwinder complete, Nos. 200164B, 201696J, 202490, 225323, 225325, 225388, 225393, 250453, 250454, 250472, 350192J, three each 200159F, 225375, 225390, 232417, 232895, 232896, 232987, 250424, four 225391 and three wood screws $\frac{3}{8}$ in., No. 12

DRIVING EQUIPMENT

228628	—	Belt (gilt edge), size $\frac{5}{8}$ in. diam., length 83 in., with two 25029
228629	—	Belt (gilt edge), size $\frac{3}{4}$ in. diam., length 57 in., with 25030
228630	—	Belt (gilt edge), size $\frac{3}{4}$ in. diam., length 120 in., with two 25030
228631	—	Belt (gilt edge), size $\frac{3}{4}$ in. diam., length 133 in., with two 25030

Accessories

No.	Plate	Name
228608	---	Belt Guide, for Bridgeport Old Style Power Table (trough), with two wood screws $\frac{3}{4}$ in., No. 10
228610	----	Belt Guard, for E'port Old Style Power Table (trough), with two wood screws $\frac{3}{4}$ in., No. 10
25029	15436	Belt Hook
25030	13941	" "
228565	13870	" Shifter
228566	13870	" " Lever with 200526c
228567	13871	" " " Hinge Stud
200335c	13871	" " " " " Set Screw
228632	15416	Belt Shifter Locking Spring
200526c	13871	" " Set Screw
228593	15437	Counter Shaft (hollow) with 200370c and 228595
210833	13871	Counter Shaft Collar with two 200383c
200383c	13871	Counter Shaft Collar Set Screw
228590	13870	" " Driving Pulley (loose), 5 in. diameter
228591	13870	Counter Shaft Driving Pulley (tight), 5 in. diam., with 200352c and 200363c
200352c	13871	Counter Shaft Driving Pulley Position Screw
200363c	13871	Counter Shaft Driving Pulley Set Screw
228601	13870	Counter Shaft Hanger with 200335c and 202244
228588	13870	Counter Shaft Hanger Belt Guard (double)
228597	13870	Counter Shaft Hanger Belt Guard (single)
200002E	13871	Counter Shaft Hanger Belt Guard Screw
202244	---	Counter Shaft Hanger Oil Packing (wick)
51080E	15436	Counter Shaft Hanger Screw
51046E	13941	" " " "
41125	13871	" " " " Washer
228602	13871	" " Oil Cup
228594	---	" " " Packing Wick
228595	15437	" " " " " Wire with 228594
200370c	13871	Counter Shaft Oil Stop Screw
228592	13870	" " Pulley, $5\frac{1}{4}$ in. diam., with 200352c and 200363c

Accessories

No.	Plate	Name
200352c	13871	Counter Shaft Pulley Position Screw
200363c	13871	" " " Set Screw
228596	---	Counter Shaft Hanger complete, for Old Style Power Table, Nos. 51080E, 200002E, 210833, 228565 to 228567, 228588, 228590 to 228593, 228601, 228602, 228632, two 51046E and three 41125
228598	---	Counter Shaft Hanger complete, for Singer Safety Power Table, Nos. 51080E, 200002E, 210833, 228565 to 228567, 228590 to 228593, 228597, 228601, 228602, 228632, two 51046E and three 41125
228573	13870	Driving Attachment Belt Guard with 228607
228607	13926	Driving Attachment Belt Guard Drain Valve
50075J	13871	Driving Attachment Belt Guard Thumb Screw
228574	13870	Driving Attachment Bracket with 11119, 228575 and four 350028c
228575	13871	Driving Attachment Bracket Oil Cup
15783	----	" " " " Tube
11119	13871	" " " " " 15783 with 52045
52045	---	Driving Attachment Bracket Oil Tube Packing (cotton)
51046E	13941	Driving Attachment Bracket Screw
41125	13871	" " " " Washer
228624	13926	Driving Pulley, 6 in. diam., with 200374c and 200396c
200396c	13941	Driving Pulley Position Screw
200374c	13707	" " Set Screw
228625	13926	" " Shaft
228571	15437	" " " Bushing with 202260
350028c	13871	Driving Pulley Shaft Bushing Set Screw
228626	13926	Driving Pulley Shaft Collar with two 200378c
200378c	15436	Driving Pulley Shaft Collar Set Screw
202260	---	Driving Pulley Shaft Bushing Oil Packing (wick)

Accessories

No.	Plate	Name
228627	—	Driving Attachment complete, Nos. 50075j, 228573, 228574, 228579, 228580, 228618 to 228626, two each 2117, 228571, three each 41125, 51046E, 200050c and 214179 to 214181
228578	—	Driving Attachment and Idler complete, Nos. 228587 and 228627
228618	13926	Eyelet Cutter Driving Pulley, 4½ in. diam., with 200342c and 200347c
228619	13926	Eyelet Cutter Driving Pulley Driving Pinion, 16 teeth, with 454c
2117	13718	Eyelet Cutter Driving Pulley Driving Pinion Pin
454c	13941	Eyelet Cutter Driving Pulley Driving Pinion Set Screw
200342c	13871	Eyelet Cutter Driving Pulley Position Screw
200347c	13871	Eyelet Cutter Driving Pulley Set Screw
228579	15437	Eyelet Cutter Driving Pulley Shaft
228580	15437	" " " " " "
		Bushing with 224392
224392	—	Eyelet Cutter Driving Pulley Shaft Bushing Oil Packing (wick)
350028c	13871	Eyelet Cutter Driving Pulley Shaft Bushing Set Screw
228620	13926	Eyelet Cutter Driving Pulley Shaft Gear, 48 teeth, with 448c
2117	13718	Eyelet Cutter Driving Pulley Shaft Gear Pin
448c	15417	Eyelet Cutter Driving Pulley Shaft Gear Set Screw
234342	—	Front Plank Extension (back) with two wood screws 1½ in., No. 10 (for flat table)
234343	—	Front Plank Extension (back) with three wood screws 1½ in., No. 10 and six 1½ in. wire nails, for Singer Safety Power Table (trough)
234349	—	Front Plank Extension (back) with four wood screws 1½ in., No. 10, for Singer Universal Safety Power Table (flat)
234350	—	Front Plank Extension (back) with six wood screws 1½ in., No. 10, for Singer Universal Safety Power Table (trough)

Accessories

No.	Plate	Name
234344	—	Front Plank Extension (front) with two wood screws 2¼ in., No. 12 and three wood screws 1¾ in., No. 12
228581	13870	Idler Pulley
228643	13870	" " Belt Guard with 200526c
200526c	13871	" " " " Set Screw
228644	13870	" " Bracket with 200526c
200019E	13871	" " " Screw
228584	15437	" " Shaft with 228586
228602	13871	" " " Oil Cup
228585	—	" " " " Wick
228586	15437	" " " " " Wire with 228585
200526c	13871	Idler Pulley Shaft Set Screw
228587	—	Idler complete, Nos. 228584, 228602, 228644, two each 228581, 228643 and three 200019E
228621	13926	Machine Driving Pulley (loose), 4½ in. diameter
228622	13926	Machine Driving Pulley Clutch
214179	13941	" " " " Roller
214181	13941	" " " " " Spring
214180	13941	Machine Driving Pulley Clutch Roller Spring Plunger
200050c	13941	Machine Driving Pulley Clutch Screw
228623	13926	Machine Driving Pulley Collar with two 200364c
200364c	15417	Machine Driving Pulley Collar Set Screw
228604	—	Motor Base with four each 41125 and 51080E
51080E	15436	Motor Base Screw
41125	13871	" " " Washer
27068	—	Shaft Pulley (sectional, grooved), 8 in. diam., 1 7/8 in. bore with two 597c
41228	—	Shaft Pulley (sectional, grooved), 5¼ in. diam., ¾ in. bore, with two 50399E
597c	15436	Shaft Pulley Clamping Screw
50399E	15436	" " Screw
150183	—	Table Belt Guide Bracket with 795c
50285R	15413	" " " " Bolt
126841	15413	" " " " " Clamping Plate
12620	—	Table Belt Guide Bracket Bolt Washer

Accessories

No.	Plate	Name
126846	15413	Table Belt Guide Bracket Bolt Washer
126750	15413	Table Belt Guide Pulley with 126752
126868	15413	" " " " Shaft
126752	15413	" " " " " Bushing
126869	15413	Table Belt Guide Pulley Shaft Collar with 1448c
1448c	15436	Table Belt Guide Pulley Shaft Collar Set Screw
795c	15413	Table Belt Guide Pulley Shaft Set Screw
150184	---	Table Belt Guide Pulley Shaft Support Bracket with three wood screws 1 in., No. 12, F.H.
126870	---	Table Belt Guide complete, Nos. 12620, 50285n, 126841, 126846, 126868, 156183, 150184, two each 126750 and 126869
126715	---	Transmitter Pulley (sectional, grooved), sheet metal, 5½ in. diameter
228599	---	Driving Equipment complete, for Old Style Power Table (flat) and Singer Universal Power Table (flat), Nos. 27068, 228578, 228596, 228628, 228631, 234342, 234344 and blue print template
228600	---	Driving Equipment complete, for Singer Safety Power Table (flat), Nos. 41228, 228578, 228598, 228628, 228630, 234342, 234344 and blue print template
228605	---	Driving Equipment complete, for Individual Motor Table, Nos. 228627 to 228629
228606	---	Driving Equipment complete, for Singer Safety Power Table (trough), Nos. 41228, 228578, 228598, 228628, 228630, 234343, 234344 and blue print template
228609	---	Driving Equipment complete, for Bridgeport Old Style Power Table (trough) and Singer Universal Power Table (trough), Nos. 27068, 228578, 228596, 228608, 228628, 228631, 234344 and blue print template

Accessories

No.	Plate	Name
228611	---	Driving Equipment complete, for E'port Old Style Power Table (trough), Nos. 27068, 228578, 228596, 228610, 228628, 228631, 234344 and blue print template
228612	---	Driving Equipment complete, for use in connection with Electric Transmitter Motor on Power Table (flat), Nos. 228627 to 228629, 234342, 234344 and blue print template
228613	---	Driving Equipment complete, for use in connection with Electric Transmitter Motor on Power Table (E'port trough), Nos. 228610, 228627 to 228629, 234344 and blue print template
228645	---	Driving Equipment complete, for Singer Universal Power Table (flat), Nos. 126715, 126870, 228627, 228628, 228630, 234349 and blue print template
228646	---	Driving Equipment complete, for Singer Universal Safety Power Table (trough), Nos. 126715, 126870, 228627, 228628, 228630, 234350 and blue print template

FOR MACHINE No. 99w68

Same as for Machine No. 99w67 with the following exception:

250844	15417	Eyelet Cutting Punch, ½ in. diam., in place of 250842
--------	-------	---

From the Library of the U.S. Department of Labor

SHAFT PULLEYS

For Singer Safety Power Table

No.	Plate	Name
41219	—	Shaft Pulley (sectional, grooved), 3 in. diam., $\frac{1}{8}$ in. bore (for Table Shaft), with two 50399E
41220	—	Shaft Pulley (sectional, grooved), 3 $\frac{1}{2}$ in. diam., $\frac{1}{8}$ in. bore (for Table Shaft), with two 50399E
41221	—	Shaft Pulley (sectional, grooved), 3 $\frac{1}{2}$ in. diam., $\frac{1}{8}$ in. bore (for Table Shaft), with two 50399E
41222	—	Shaft Pulley (sectional, grooved), 3 $\frac{3}{4}$ in. diam., $\frac{1}{8}$ in. bore (for Table Shaft), with two 50399E
41223	—	Shaft Pulley (sectional, grooved), 4 in. diam., $\frac{1}{8}$ in. bore (for Table Shaft), with two 50399E
41224	—	Shaft Pulley (sectional, grooved), 4 $\frac{1}{2}$ in. diam., $\frac{1}{8}$ in. bore (for Table Shaft), with two 50399E
41228	—	Shaft Pulley (sectional, grooved), 5 $\frac{1}{2}$ in. diam., $\frac{1}{8}$ in. bore, with two 50399E
50399E	15436	Shaft Pulley Screw

For Low Shaft Table

27271	—	Shaft Pulley (sectional, grooved), 4 in. diam., $1\frac{1}{16}$ in. bore, with two 597c
232920	—	Shaft Pulley (sectional, grooved), 4 $\frac{1}{2}$ in. diam., $1\frac{1}{16}$ in. bore, with two 597c
27065	—	Shaft Pulley (sectional, grooved), 5 in. diam., $1\frac{1}{16}$ in. bore, with two 597c
232879	—	Shaft Pulley (sectional, grooved), 5 $\frac{1}{2}$ in. diam., $1\frac{1}{16}$ in. bore, with two 597c
27066	—	Shaft Pulley (sectional, grooved), 6 in. diam., $1\frac{1}{16}$ in. bore, with two 597c

Shaft Pulleys

No.	Plate	Name
232880	—	Shaft Pulley (sectional, grooved), 6 $\frac{1}{2}$ in. diam., $1\frac{1}{16}$ in. bore, with two 597c
27067	—	Shaft Pulley (sectional, grooved), 7 in. diam., $1\frac{1}{16}$ in. bore, with two 597c
232881	—	Shaft Pulley (sectional, grooved), 7 $\frac{1}{2}$ in. diam., $1\frac{1}{16}$ in. bore, with two 597c
27068	—	Shaft Pulley (sectional, grooved), 8 in. diam., $1\frac{1}{16}$ in. bore, with two 597c
232882	—	Shaft Pulley (sectional, grooved), 8 $\frac{1}{2}$ in. diam., $1\frac{1}{16}$ in. bore, with two 597c
27069	—	Shaft Pulley (sectional, grooved), 9 in. diam., $1\frac{1}{16}$ in. bore, with two 597c
232883	—	Shaft Pulley (sectional, grooved), 9 $\frac{1}{2}$ in. diam., $1\frac{1}{16}$ in. bore, with two 597c
27070	—	Shaft Pulley (sectional, grooved), 10 in. diam., $1\frac{1}{16}$ in. bore, with two 597c
27072	—	Shaft Pulley (sectional, grooved), 12 in. diam., $1\frac{1}{16}$ in. bore, with two 597c
27074	—	Shaft Pulley (sectional, grooved), 14 in. diam., $1\frac{1}{16}$ in. bore, with two 597c
27075	—	Shaft Pulley (sectional, grooved), 15 in. diam., $1\frac{1}{16}$ in. bore, with two 597c
597c	15436	Shaft Pulley Clamping Screw

TRANSMITTER PULLEYS

For Singer Universal Safety Power Table

No.	Plate	Name
126713	-----	Transmitter Pulley (sectional, grooved), sheet metal, 4 $\frac{1}{4}$ in. diameter
126714	15413	Transmitter Pulley (sectional, grooved), sheet metal, 5 in. diameter
126715	---	Transmitter Pulley (sectional, grooved), sheet metal, 5 $\frac{1}{4}$ in. diameter
126716	-----	Transmitter Pulley (sectional, grooved), sheet metal, 5 $\frac{1}{2}$ in. diameter
126717	-----	Transmitter Pulley (sectional, grooved), sheet metal, 5 $\frac{3}{4}$ in. diameter

NUMERICAL LIST OF PARTS

OBSOLETE PARTS

250900	-----	Feed Wheel, for Machine No. 99w67
251038	---	" " " " " 99w68
232534	15436	" " Driving Ring Gib
232310	15421	" " " " " Position Pin
250927	15436	Thread Cutting Retrimming Operating Lever Cam Plate

NUMERICAL LIST OF PARTS

No.	Plate	Name
9D	15417	Belt Guard Screw
9D	15417	Return Feed Starting Lever Hinge Screw
27E	13720	Return Feed Starting Lever Releas- ing Lever Hinge Screw
32D	15431	Upper Needle Thread Tension Re- leaser Arm Hinge Screw
35D	15421	Finger Starting Bell Crank Hinge Screw
35C	15421	Under Needle Thread Nipper Lever Hinge Screw
42F	13721	Starting Lever Unlocking Lever Hinge Screw
52C	13723	Stop Lever Extension Lever Hinge Screw
54C	13721	Safety Lever Hinge Screw
56F	15426	Thread Cutting Blade Operating Lever Hinge Screw
58F	13723	Stitch Rotating Lever Connection Hinge Screw
59D	15421	Feed Wheel Driving Ring Friction Spring Screw, for 250903 and 251039
68D	13720	Return Feed Starting Lever Trip Hinge Screw
74D	13718	Return Feed Pawl Hinge Screw
90D	13720	" " Starting Lever Latch Hinge Screw
90D	13720	Return Feed Starting Lever Trip Lever Link Hinge Screw
99C	15428	Thread Cutting Blade Operating Rod Hinge Screw, for 250941 and 251042
106C	15436	Work Clamp Opening Rod Hinge Screw
110C	13707	Eyelet Cutting Starting Lever Lock Screw
110C	13707	Thread Cutting Blade Connecting Rod Connection Hinge Screw
110C	13707	Work Clamp Base Locking Spring Adjusting Screw, for 250941 and 251042

Numerical List of Parts

No.	Plate	Name
129E	13710	Feed Adjusting Gear Bracket Clamping Post Screw
129E	13710	Intermittent Feed Driving Wheel Bracket Screw
145E	13718	Return Feed Driving Gear Screw
150D	13701	Arm Shaft Screw
160D	13710	Upper Needle Thread Take-up Thread Guide Bracket Screw
160D	13710	Upper Needle Thread Tension Bracket Screw
164D	15421	Feed Wheel Driving Ring Retaining Washer Screw, for 250903 and 251039
171D	13718	Needle Bar Rotating Gear Adjusting Nut Pinch Screw, for 201661
171E	13718	Return Feed Connection Screw, for 232737
172D	13723	Stitch Rotating Lever Connection Screw (lower), for 232764
172D	13723	Thread Cutting Blade Operating Arm Adjusting Screw
172D	13723	Work Clamp Opening Lever Adjustable Section Screw
175D	15424	Looper and Under Needle Driving Lever Pinch Screw, for 255517
178D	15426	Return Feed Starting Lever Clutch Plate Screw
183D	15421	Finger Starting Connection Screw
185H	15424	Looper and Under Needle Driving Link Pinch Screw, for 232566
190D	13718	Eyelet Cutting Chip Spout Spring Cover Block Screw
190D	13718	Return Feed Pawl Spring Screw
190D	13718	Throat Plate Tipping Point Screw
190D	13718	Under Needle Thread Leader Bracket Screw
190D	13718	Upper Needle Thread Pull-off Lever Adjusting Screw
191C	15428	Thread Cutting Retrimming Operating Lever Set Screw, for 250926
191D	15428	Throat Plate Holder Lock Adjusting Screw, for 232633
193D	13701	Arm Side Cover Screw (back)
193F	13701	Feed Wheel Overthrow Safety Lever Spring Screw
193D	13701	Looper Carrier Crank Bracket Screw

Numerical List of Parts

No.	Plate	Name
193D	13701	Stitch Rotating Lever Connection Screw (upper), for 250400
193D	13701	Under Needle Carrier Bracket Screw
194C	13727	Under Needle Thread Nipper Screw Stud Guide Screw
194C	13727	Work Clamp Opening Lever Latch Stop Screw, for 250939 and 251041
196E	13720	Bed Side Cover (left) Stop Screw
196F	13720	Return Feed Starting Lever Releasing Lever Stop Screw
196F	13720	Upper Needle Thread Pull-off Set Screw, for 232656
196F	13720	Work Clamp Base Clamping Plate Lifting Lever Support Screw
199D	15424	Looper and Under Needle Driving Link Cap Screw
200E	15421	Eyelet Cutting Starting Lever Latch Stop Screw
200E	15421	Looper and Under Needle Driving Fork Set Screw, for 255535
200E	15421	Work Clamp Opening Lever Latch Releasing Bracket Set Screw, for 253679
202E	13718	Return Feed Crank Shaft Clutch Lock Plate Screw
203D	15424	Needle Bar Guide Screw
203D	15424	" Holder Screw
203E	15424	Return Feed Crank Shaft Clutch Lock Spring Screw
203D	15424	Return Feed Starting Lever Guide Plate Screw
203D	15424	Return Feed Starting Lever Latch Spring Screw
203D	15424	Upper Needle Thread Tension Releaser Connection Screw
205D	15417	Arm Side Cover Screw (front)
207E	13718	Return Feed Crank Shaft Clutch Plate Screw, for 232745
207F	13718	Thread Cutting Blade Operating Rod Bracket Screw, for 250941 and 251042
207F	13718	Work Clamp Opening Stop Screw
208D	13716	Looper Carrier Crank Driving Connection Screw
208D	13716	Looper and Under Needle Driving Lever Link Pinch Screw, for 232565

Numerical List of Parts

No.	Plate	Name
208D	13716	Looper and Under Needle Driving Link Screw, for 232566
208D	13716	Looper and Under Needle Driving Shaft Bushing Screw
209F	15431	Upper Needle Thread Tension Releaser Cam Set Screw, for 232795
209F	15431	Work Clamp Arm Cam Set Screw, for 253666
209F	15431	Work Clamp Closing Lever (hand) Set Screw, for 250964
209F	15431	Work Clamp Connection Lever Set Screw, for 250966
217E	15417	Bed Side Cover(left) Latch Spring Screw
217D	15417	Return Feed Starting Lever Trip Spring Screw
217E	15417	Under Needle Thread Pull-off Screw
217F	15417	Work Clamp Base Locking Spring Screw
217E	15417	Work Clamp Opening Lever Latch Spring Screw, for 250939 and 251041
219E	15419	Eyelet Cutting Lever Bracket Gib Adjusting Plate Screw
219F	15419	Eyelet Cutting Punch Set Screw, for 250898 and 251037
219F	15419	Thread Cutting Blade Screw, for 250957 and 251047
220D	13727	Under Needle Carrier Connecting Link Screw, for 232639
226D	13710	Throat Plate Stop Screw
228F	13727	Eyelet Cutting Chip Spout Screw
228F	13727	Under Needle Thread Guide Screw
229D	15431	" " " " Wire Screw
231C	15433	Work Clamp Carrier Side Throw Lever Slide Block Guide Screw
233D	13728	Looper and Under Needle Driving Fork Plate Screw, for 255535
233D	13728	Upper Needle Thread Take-up Thread Guide Bracket Plate Screw, for 232663
233D	13728	Upper Needle Thread Take-up Thread Guide Spring Latch Screw, for 232663
233D	13728	Upper Needle Thread Take-up Thread Stripper Screw, for 232663
237F	15419	Eyelet Cutting Punch Stop Screw

Numerical List of Parts

No.	Plate	Name
237F	15419	Finger Starting Rod Collar (back) Screw, for 232839
237F	15419	Thread Cutting Blade Operating Rod Collar Set Screw, for 250923 and 250924
237F	15419	Thread Cutting Retrimming Rod Collar Set Screw, for 250930
237F	15419	Work Clamp Base Clamping Plate Hinge Plate Screw, for 250939, 250941, 251041 and 251042
330D	15414	Bed Shaft Bushing (front) Oil Tube Bracket Screw
357C	15426	Return Feed Starting Lever Trip Lever Hinge Stud Set Screw, for 255503
399D	15424	Return Feed Crank Shaft Cam Plate Screw, for 250910
402D	13727	Return Feed Crank Shaft Cam Plate Screw, for 250910
402D	13727	Under Needle Thread Nipper Block Screw
448C	15417	Bed Shaft Collar Set Screw, for 232498
448C	15417	Eyelet Cutter Driving Pulley Shaft Gear Set Screw, for 228620
448C	15417	Eyelet Cutting Lever (lower) Cam Set Screw, for 250894
448C	15417	Eyelet Cutting Lever (upper) Cam Set Screw, for 250896
448C	15417	Stitch Rotating Sector (upper) and Gear Guard Set Screw, for 232849
448C	15417	Stitch Rotating Lever (upper) Set Screw, for 232591
448C	15417	Thread Unwinder Spool Pin Arm Bracket Set Screw, for 232896
448C	15417	Thread Unwinder Spool Pin Arm Set Screw, for 232896
452C	13718	Return Feed Crank Shaft Driver Set Screw, for 232744
453C	13701	Bed Shaft Bevel Gear Set Screw, for 255521
453C	13701	Thread Cutting Blade Operating Connection Collar Set Screw, for 23414
453C	13701	Vertical Shaft Bevel Gear (lower) Set Screw, for 255522
454C	13941	Eyelet Cutter Driving Pulley Driving Pinion Set Screw, for 228619

Numerical List of Parts

No.	Plate	Name
456c	13941	Stitch Rotating Lever (lower) Set Screw, for 232590
456c	13941	Thread Unwinder Spool Rest Rod Coupling Set Screw, for 250454
457c	15417	Bed Shaft Looper Driving Gear Set Screw, for 232499
457c	15417	Feed Driving Gear (intermediate) Set Screw, for 232525
457c	15417	Upper Needle Thread Take-up Set Screw, for 232660
462c	15426	Thread Cutting Blade Operating Cam Set Screw, for 250814
465c	15424	Intermittent Feed Driving Wheel Set Screw, for 250811
465c	15424	Intermittent Feed Driving Wheel Shaft Gear Set Screw, for 232452
465E	15424	Looper and Under Needle Driving Gear Set Screw, for 232563
465c	15424	Work Clamp Opening Lever Operating Disc Set Screw, for 250970
524c	13710	Feed Adjusting Gear Bracket Screw
575c	15431	Vertical Shaft Bushing (upper) Set Screw
597c	15436	Shaft Pulley Clamping Screw, for 27065 to 27070, 27072, 27074, 27075, 27271, 232879 to 232883 and 232920
641D	15421	Face Plate Screw
662D	13707	Eyelet Cutting Pressure Wedge Adjusting Screw Lock Spring Screw, for 232057
662D	13707	Work Clamp Check Thread Clamping Section Spring Screw, for 250957 and 251047
690D	13723	Stitch Rotating Sector (lower) Bracket Screw
691F	15431	Under Needle Thread Tension Bracket Screw
735c	15424	Needle Set Screw, for 232574
735c	15424	Upper Needle Thread Take-up Thread Guide Hinge Pin Set Screw, for 232662
735E	15424	Work Clamp Connection Lever Set Screw, for 250967
741c	15426	Thread Cutting Blade Operating Connection Screw
759F	13941	Thread Unwinder Spool Pin Thumb Set Screw, for 232895
766c	15433	Work Clamp Base Clamping Plate Lifting Lever Link Hinge Screw

Numerical List of Parts

No.	Plate	Name
788D	13720	Work Clamp Opening Lever Hinge Screw
792D	15436	Work Clamp Spring Wear Plate Screw, for 250939, 250941, 251041 and 251042
795c	15413	Table Belt Guide Pulley Shaft Set Screw, for 159183
808D	15436	Work Clamp Opening Rod Guide Pinch Screw, for 250274
896E	13716	Looper and Under Needle Driving Bar Bearing Screw, for 232554
898D	13720	Return Feed Starting Lever Releasing Lever Safety Arm Screw
906E	13716	Looper and Under Needle Carrier Rotating Gear Set Screw, for 232555
906E	13716	Looper Carrier Crank Driving Spiral Set Screw, for 232549
906c	13716	Thread Cutting Blade Shaft Crank Set Screw, for 249828
934D	15426	Stitch Rotating Sector (lower) Guard Screw
934H	15426	Work Clamp Base (left) Guard Screw, for 250939 and 251041
934H	15426	Work Clamp Base (right) Guard Screw, for 250941 and 251042
940F	15431	Upper Needle Thread Tension Releaser Connection Hinge Screw
940F	15431	Work Clamp Base Clamping Plate Lifting Lever Hinge Screw
966E	15419	Eyelet Cutting Lever (lower) Block Set Screw
974F	15428	Thread Cutting Blade Operating Rod Lever Hinge Screw, for 250941 and 251042
990D	15417	Eyelet Cutting Carrier Lever Roller Cap Screw, for 250021
991c	13727	Under Needle Thread Nipper Adjusting Screw
1036c	15414	Driving Wheel Stop Cam Position Collar Set Screw, for 251025
1094E	15419	Eyelet Cutting Driving Wheel Lock Stop Plate Screw
1094E	15419	Work Clamp Carrier Slide Gib Screw, for 232492
1149c	15431	Vertical Shaft Bushing (lower) Set Screw
1159F	13728	Upper Needle Thread Guide Set Screw, for 232662

Numerical List of Parts

No.	Plate	Name
1178D	13718	Return Feed Gear Guard Screw
1178D	13718	Stop Lever Interlocking Slide Screw
1209C	13721	Starting Lever Unlocking Lever Tripping Point Screw
1239D	15414	Looper and Under Needle Driving Crank Cap Screw, for 255526
1245C	13710	Feed Adjusting Gear Screw Stud
1253C	13710	Work Clamp Opening Lever Set Screw, for 250551
1255D	13720	Return Feed Starting Lever Adjusting Arm Screw
1301C	15421	Feed Wheel Overthrow Safety Lever Hinge Screw
1301C	15421	Looper and Under Needle Driving Lever Hinge Screw
1330C	15436	Work Clamp Opening Lever Operating Disc Screw Stud, for 250970
1348E	15434	Work Clamp Check Thread Clamping Section Support Screw Stud, for 250957 and 251047
1359E	13710	Feed Hand Ratchet Lever Pawl Hinge Screw
1388C	15431	Upper Needle Thread Tension Screw Stud
1423F	13707	Eyelet Position Gauge Screw
1443D	15426	Stitch Rotating Sector (upper) and Gear Guard Cover Screw
1443F	15426	Work Clamp Base Clamping Plate Spring Screw, for 250939, 250941, 251041 and 251042
1443F	15426	Work Clamp Base Spring Screw, for 250939, 250941, 251041 and 251042
1443F	15426	Work Position Gauge Screw, for 250939, 250941, 251041 and 251042
1448C	15436	Table Belt Guide Pulley Shaft Collar Set Screw, for 126869
1517E	15426	Stop Lever Extension Lever Stop Screw Nut
1518E	13718	Return Feed Arm Swivel Screw Nut
1521E	15426	Thread Cutting Blade Operating Connection Screw Nut
1521E	15426	Work Clamp Opening Lever Operating Disc Screw Stud Nut, for 250970
1547J	15434	Work Clamp Opening Lever Latch Releasing Screw Nut, for 253679
1550J	13727	Under Needle Thread Nipper Adjusting Screw Nut

Numerical List of Parts

No.	Plate	Name
1560C	13727	Under Needle Thread Tension Regulating Thumb Nut
1560C	13727	Upper Needle Thread Tension Regulating Thumb Nut
1620E	15431	Upper Needle Thread Tension Releaser Arm Hinge Screw Nut
1650E	15417	Bed Side Cover (left) Hinge Screw Lug Nut
1664E	13728	Upper Needle Thread Leader Nut
1695E	15426	Thread Cutting Blade Connecting Rod Nut, for 250974
1698C	15417	Eyelet Cutting Carrier Lever Adjusting Screw Stud Nut
2102	13727	Under Needle Thread Tension Disc
2117	13718	Eyelet Cutter Driving Pulley Driving Pinion Pin, for 228627
2117	13718	Eyelet Cutter Driving Pulley Shaft Gear Pin, for 228627
2117	13718	Return Feed Crank Shaft Driver Pin
2269	15431	Work Clamp Arm Cam Position Pin, for 250939, 250941, 251041 and 251042
2269	15431	Work Clamp Closing Lever (hand) Position Pin, for 250941 and 251042
2269	15431	Work Clamp Opening Lever Position Pin, for 250939 and 251041
2273	13707	Eyelet Cutting Pressure Wedge Adjusting Screw Nut Pin, for 250538
2273	13707	Finger Starting Rod Pin
2273	13707	Thread Cutting Blade Operating Rod Collar (front) Pin, for 250941 and 251042
7071	13718	Feed Wheel Overthrow Safety Lever Spring Screw Washer
7071	13718	Return Feed Crank Shaft Clutch Lock Spring Screw Washer
7071	13718	Return Feed Pawl Spring Screw Washer
7071	13718	Return Feed Starting Lever Trip Spring Screw Washer
7071	13718	Throat Plate Tipping Point Screw Washer
7071	13718	Work Clamp Base Locking Spring Screw Washer
7071	13718	Work Clamp Opening Lever Latch Spring Screw Washer, for 250939 and 251041

Numerical List of Parts

No.	Plate	Name
7071	13718	Upper Needle Thread Pull-off Lever Adjusting Screw Washer
7071	13718	Upper Needle Thread Tension Releaser Connection Screw Washer
8873	15414	Driving Wheel Position Pin
8909	13741	Wrench
9525	15421	Feed Wheel Chip Guard Screw Washer
10107	15428	Throat Plate Holder Position Screw Spring
10249	15434	Work Clamp Opening Lever Latch Spring, for 250939 and 251041
10875	13741	Wrench, for 201524
11119	13871	Driving Attachment Bracket Oil Tube 15783 with 52045, for 228574
11831	13741	Screw Driver, 5 in. blade (machine, large)
12509	15424	Intermittent Feed Driving Wheel Shaft Gear Position Pin
12509	15424	Work Clamp Opening Lever Operating Disc Position Pin
12620	—	Table Belt Guide Bracket Bolt Washer, for 126870
13218	15433	Work Clamp Arm Spring, for 250939, 250941, 251041 and 251042
13710	15431	Upper Needle Thread Tension Spring
15783	—	Driving Attachment Bracket Oil Tube, for 11119
23414	13723	Thread Cutting Blade Operating Connection Collar with two 453c
23535	13741	Wrench, for 1698
25029	15436	Belt Hook, for 228628
25030	13941	" " " 228629 to 228631
25200	13741	Wrench, for 201643
27065	—	Shaft Pulley (sectional, grooved), 5 in. diam., $1\frac{3}{8}$ in. bore, with two 597c
27066	—	Shaft Pulley (sectional, grooved), 6 in. diam., $1\frac{3}{8}$ in. bore, with two 597c
27067	—	Shaft Pulley (sectional, grooved), 7 in. diam., $1\frac{3}{8}$ in. bore, with two 597c
27068	—	Shaft Pulley (sectional, grooved), 8 in. diam., $1\frac{3}{8}$ in. bore, with two 597c, for 228599, 228609 and 228611

Numerical List of Parts

No.	Plate	Name
27069	—	Shaft Pulley (sectional, grooved), 9 in. diam., $1\frac{3}{8}$ in. bore, with two 597c
27070	—	Shaft Pulley (sectional, grooved), 10 in. diam., $1\frac{3}{8}$ in. bore, with two 597c
27072	—	Shaft Pulley (sectional, grooved), 12 in. diam., $1\frac{3}{8}$ in. bore, with two 597c
27074	—	Shaft Pulley (sectional, grooved), 14 in. diam., $1\frac{3}{8}$ in. bore, with two 597c
27075	—	Shaft Pulley (sectional, grooved), 15 in. diam., $1\frac{3}{8}$ in. bore, with two 597c
27271	—	Shaft Pulley (sectional, grooved), 4 in. diam., $1\frac{3}{8}$ in. bore, with two 597c
32012	15431	Upper Needle Thread Tension Disc
32572	15431	" " " " Releasing Disc
39504	13723	Stitch Rotating Lever Connection Screw Washer (lower), for 232764
39541	13720	Eyelet Cutting Carrier Lever Adjusting Screw Stud Nut Washer
39541	13720	Return Feed Starting Lever Releasing Lever Safety Arm Screw Washer
39541	13720	Starting Lever Unlocking Lever Tripping Point Screw Washer
39541	13720	Work Clamp Opening Lever Adjustable Section Screw Washer
39635	15431	Upper Needle Thread Tension Releasing Pin
40025	15417	Bed Shaft Collar Position Pin
40025	15417	Eyelet Cutting Carrier Cam Position Pin
40025	15417	Eyelet Cutting Lever (lower) Cam Position Pin
40025	15417	Eyelet Cutting Lever (upper) Cam Position Pin
40025	15417	Needle Bar Driving Crank Position Pin
40025	15417	Stitch Rotating Lever (upper) Position Pin
40025	15417	Vertical Shaft Bevel Gear (upper) Position Pin

Numerical List of Parts

No.	Plate	Name
40045	15431	Thread Cutting Blade Operating Rod Collar (front) Washer (rawhide), for 250941 and 251042
40045	15431	Upper Needle Thread Pull-off Guide Bracket Washer (rawhide)
41125	13871	Counter Shaft Hanger Screw Washer, for 228596 and 228598
41125	13871	Driving Attachment Bracket Screw Washer, for 228627
41125	13871	Motor Base Screw Washer, for 228604
41219	—	Shaft Pulley (sectional, grooved), 3 in. diam., $\frac{1}{8}$ in. bore (for Table Shaft), with two 50399E
41220	—	Shaft Pulley (sectional, grooved), 3 $\frac{1}{4}$ in. diam., $\frac{1}{8}$ in. bore (for Table Shaft), with two 50399E
41221	—	Shaft Pulley (sectional, grooved), 3 $\frac{1}{2}$ in. diam., $\frac{1}{8}$ in. bore (for Table Shaft), with two 50399E
41222	—	Shaft Pulley (sectional, grooved), 3 $\frac{3}{4}$ in. diam., $\frac{1}{8}$ in. bore (for Table Shaft), with two 50399E
41223	—	Shaft Pulley (sectional, grooved), 4 in. diam., $\frac{1}{8}$ in. bore (for Table Shaft), with two 50399E
41224	—	Shaft Pulley (sectional, grooved), 4 $\frac{1}{2}$ in. diam., $\frac{1}{8}$ in. bore (for Table Shaft), with two 50399E
41228	—	Shaft Pulley (sectional, grooved), 5 $\frac{1}{2}$ in. diam., $\frac{1}{8}$ in. bore, with two 50399E, for 228600 and 228606
50031c	15417	Eyelet Cutting Carrier Lever Adjusting Screw Stud
50058D	15433	Work Clamp Base Lock Plate Screw
50067B	15419	Eyelet Cutting Chip Spout Spring Cover Screw
50075J	13871	Driving Attachment Belt Guard Thumb Screw, for 228627
50084E	15419	Eyelet Cutting Driving Wheel Set Screw, for 232042
50168E	13727	Throat Plate Screw
50285R	15413	Table Belt Guide Bracket Bolt, for 126870
50399E	15436	Shaft Pulley Screw, for 41219 to 41224 and 41228
51046E	13941	Counter Shaft Hanger Screw, for 228596 and 228598

Numerical List of Parts

No.	Plate	Name
51046E	13941	Driving Attachment Bracket Screw, for 228627
51080E	15436	Counter Shaft Hanger Screw, for 228596 and 228598
51080E	15436	Motor Base Screw, for 228604
52045	—	Driving Attachment Bracket Oil Tube Packing (cotton), for 11119
120346	15432	Oiler (copper plated) with 120347
120347	15432	" Spout, 9 in. long, for 120346
126713	—	Transmitter Pulley (sectional, grooved), sheet metal, 4 $\frac{3}{4}$ in. diameter
126714	15413	Transmitter Pulley (sectional, grooved), sheet metal, 5 in. diameter
126715	—	Transmitter Pulley (sectional, grooved), sheet metal, 5 $\frac{1}{4}$ in. diam., for 228645 and 228646
126716	—	Transmitter Pulley (sectional, grooved), sheet metal, 5 $\frac{1}{2}$ in. diameter
126717	—	Transmitter Pulley (sectional, grooved), sheet metal, 5 $\frac{3}{4}$ in. diameter
126750	15413	Table Belt Guide Pulley with 126752, for 126870
126752	15413	Table Belt Guide Pulley Shaft Bushing, for 126750
126841	15413	Table Belt Guide Bracket Bolt Clamping Plate, for 126870
126846	15413	Table Belt Guide Bracket Bolt Washer, for 124870
126868	15413	Table Belt Guide Pulley Shaft, for 126870
126869	15413	Table Belt Guide Pulley Shaft Collar with 1448c, for 126870
126870	—	Table Belt Guide complete, Nos. 12620, 50285E, 126841, 126846, 126868, 150183, 150184, two each 126750 and 126869, for 228645 and 228646
150183	—	Table Belt Guide Bracket with 795c, for 126870
150184	—	Table Belt Guide Pulley Shaft Support Bracket with two wood screws 1 in., No. 12, F.H., for 126870
200002E	13871	Counter Shaft Hanger Belt Guard Screw, for 228596 and 228598

Numerical List of Parts

No.	Plate	Name
200019E	13871	Idler Pulley Bracket Screw, for 228587
200019E	13871	Thread Cutting Blade Operating Fork Clamping Screw, for 250816
200020E	13701	Arm Screw
200036D	13710	Eyelet Cutting Starting Lever Support Screw
200050C	13941	Machine Driving Pulley Clutch Screw, for 228627
200051E	15419	Eyelet Cutting Driving Wheel Lock Spring Screw
200051E	15419	Work Clamp Arm Screw, for 250939, 250941, 251041 and 251042
200055D	13721	Safety Cam Screw, for 250903 and 251029
200061D	13701	Bed End Cover Catch Screw
200061D	13701	Stop Lever Lock Screw
200083E	15419	Eyelet Cutting Lever Hinge Stud Set Screw, for 250897
200083E	15419	Needle Bar Driving Collar Pinch Screw, for 232176
200085E	15421	Feed Wheel Chip Guard Screw
200096D	15417	Driving Wheel Stop Cam Spring Position Screw
200097C	15421	Finger Starting Lever Screw, for 250939 and 251041
200097C	15421	Throat Plate Holder Lock Screw
200100E	13701	Arm Shaft Bushing (back) Screw
200100E	13701	" " (front) Screw
200100E	13701	Bed Shaft Bushing (back) Screw
200100E	13701	" " (front) Screw
200100E	13701	Return Feed Crank Shaft Bushing Screw
200110D	15417	Bed Side Cover (right) Screw
200110D	15417	Stop Lever Friction Pad Screw
200119F	13718	Return Feed Arm Swivel Collar Set Screw, for 232736
200119D	13718	Work Clamp Carrier Base Plate Slide Rod Nut Set Screw, for 232284 and 232285
200122H	15419	Eyelet Cutting Pressure Wedge Post Screw
200122H	15419	Eyelet Cutting Punch Holder Adjusting Screw
200159F	13941	Thread Unwinder Spool Pin Cap Screw, for 225376
200161D	15431	Return Feed Starting Lever Trip Lever Link Cap Screw

Numerical List of Parts

No.	Plate	Name
200161D	15431	Work Clamp Arm Bracket Screw (front), for 250939, 250941, 251041 and 251042
200164B	13941	Thread Unwinder Thread Guide Stud Set Screw, for 225376
200186B	13728	Under Thread Clamping Spring and Cutter Screw, for 250939 and 251041
200233C	15434	Work Clamp Closing Lever Hinge Screw
200262H	15417	Drip Pan Clamp Hinge Screw
200294H	13728	Upper Needle Thread Pull-off Lever Spring Stop Screw
200310E	15426	Safety Lever Spring Screw
200335C	13871	Belt Shifter Lever Hinge Stud Set Screw, for 228601
200341C	13701	Arm Shaft Hand Wheel Set Screw, for 232003
200342C	13871	Eyelet Cutter Driving Pulley Position Screw, for 228618
200347C	13871	Eyelet Cutter Driving Pulley Set Screw, for 228618
200352C	13871	Counter Shaft Driving Pulley Position Screw, for 228591
200352C	13871	Counter Shaft Pulley Position Screw, for 228592
200352C	13871	Stop Lever Set Screw, for 251026
200363C	13871	Counter Shaft Driving Pulley Set Screw, for 228591
200363C	13871	Counter Shaft Pulley Set Screw, for 228592
200363C	13871	Starting Lever Set Screw, for 232579
200364C	15417	Eyelet Cutting Carrier Cam Set Screw, for 232503
200364C	15417	Machine Driving Pulley Collar Set Screw, for 228623
200370C	13871	Counter Shaft Oil Stop Screw, for 228593
200374C	13707	Driving Pulley Set Screw, for 228624
200378C	15436	" " Shaft Collar Set Screw, for 228626
200382C	15424	Needle Bar Connecting Link Stud Set Screw, for 232568
200383C	13871	Counter Shaft Collar Set Screw, for 210833
200383C	13871	Thread Unwinder Spool Rest Rod Set Screw, for 202490
200394C	15424	Needle Bar Driving Crank Set Screw, for 232568

Numerical List of Parts

No.	Plate	Name
200395c	15414	Driving Wheel Set Screw, for 232110
200396c	13941	" Pulley Position Screw, for 228624
200478h	15417	Bed Side Cover (left) Thumb Screw
200526c	13871	Belt Shifter Set Screw, for 228566
200526c	13871	Idler Pulley Belt Guard Set Screw, for 228643
200526c	13871	Idler Pulley Shaft Set Screw, for 228644
200530E	15419	Eyelet Cutting Starting Lever Hinge Stud Set Screw
200542c	13721	Starting Lever Locking Plate Screw
200543h	13716	Looper Carrier Crank (driven) Cap Screw
200567h	13701	Bed Cushion (rawhide) Screw, for 232954
200574E	13721	Starting Lever Cam Plate Screw
200574E	13721	Throat Plate Locking Ring Screw
200577h	13710	Safety Plate Screw
200579E	13701	Bed End Cover Hinge Screw
200579E	13701	" Hinge Screw
200581h	15421	Feed Wheel Overthrow Stop Plate Screw, for 250903 and 251039
200603E	15417	Bed Side Cover (left) Hinge Screw Stud
200679c	15433	Work Clamp Base Clamping Plate Lifting Lever Rack Gear Stud
200728h	15417	Drip Pan Clamp Thumb Screw
201018c	13941	Thread Unwinder Spool Rest Set Screw, for 225323 and 225325
201082E	13716	Looper and Under Needle Carrier Frame Screw
201084c	15426	Stop Lever Interlocking Slide Adjusting Screw
201085c	13707	Eyelet Cutting Starting Lever Restoring Screw Stud, for 232063
201097c	15433	Work Clamp Carrier Side Throw Lever Slide Block Screw Stud, for 232685
201102c	15433	Work Clamp Carrier Regulator Roller Screw Stud, for 232283
201110b	15426	Stop Lever Spring Screw
201113c	13721	Starting Lever Lock Hinge Screw
201115c	13723	Stitch Rotating Lever (lower) Roller Screw Stud
201124E	15433	Work Clamp Carrier Regulator Adjusting Screw Stud
201125c	15433	Work Clamp Carrier Regulator Hinge Screw

Numerical List of Parts

No.	Plate	Name
201129b	15431	Work Clamp Arm Bracket Screw (back), for 250939, 250941, 251041 and 251042
201144E	15414	Looper and Under Needle Driving Crank Locking Stud Spring Screw, for 255526
201144E	15414	Work Clamp Carrier Side Throw Lever Roller Cap Screw, for 201937
201148h	15433	Work Clamp Base Stop Block Screw
201155b	13707	Eyelet Cutting Pressure Wedge Adjusting Screw, for 250538
201160E	15424	Return Feed Starting Lever Adjusting Arm Spring Screw Eye
201160E	15424	Upper Needle Thread Tension Releaser Connection Spring Screw Eye
201176E	15419	Eyelet Cutting Lever Bracket Gib (right) Screw
201207b	15421	Feed Wheel Driving Rack Screw, for 250903 and 251039
201218E	13707	Eyelet Cutting Starting Lever Latch Spring Screw Stud
201237E	15433	Work Clamp Arm Cam Stop Screw, for 250939, 250941, 251041 and 251042
201288b	15421	Finger Starting Rod Collar (front) Screw, for 232840
201354E	13727	Under Needle Thread Nipper Screw Stud
201356E	13721	Safety Lever Spring Screw Stud (for Bed)
201356E	13721	Starting Lever Lock Spring Screw Stud, for 232235
201358E	13721	Starting Lever Lock Spring Screw Stud (for Bed)
201360E	15417	Bed Side Cover (left) Hinge Screw Lug
201361c	13727	Under Needle Thread Tension Screw Stud
201362c	15421	Feed Wheel Screw Stud, for 250903 and 251039
201363c	13723	Stitch Rotating Sector (lower) Hinge Screw
201364c	13728	Upper Needle Thread Pull-off Lever Driving Screw Stud
201365c	15428	Throat Plate Holder Adjusting Screw, for 232632

Numerical List of Parts

No.	Plate	Name
201366c	15417	Eyelet Cutting Carrier Lever Roller Screw Stud, for 250021
201367f	15424	Looper and Under Needle Driving Lever Link Hinge Screw
201368e	15428	Throat Plate Holder Adjusting Screw Clamp Screw, for 232632
201371c	15433	Work Clamp Carrier Side Throw Lever Hinge Screw
201372c	13728	Upper Needle Thread Pull-off Screw Bushing
201374e	15433	Work Clamp Carrier Side Throw Lever Roller Stud Cap Screw, for 232685
201379c	13727	Under Needle Carrier Connecting Link Ball Screw, for 255506
201381d	13718	Needle Guard Screw
201384d	15428	Thread Cutting Retrimming Operating Lever Cam Plate Screw, for 250903 and 251039
201385c	13710	Feed Wheel Driving Pawl Screw, for 250903 and 251039
201386c	15428	Throat Plate Holder Hinge Screw
201395d	13723	Stitch Rotating Sector (upper) Bracket Screw
201406e	15434	Work Clamp Check Thread Cutting Blade Screw, for 250957 and 251047
201437c	15436	Return Feed Arm Swivel Set Screw
201442c	15426	Starting Lever Position Screw
201442c	15426	Stop Lever Position Screw
201451e	15433	Work Clamp Base Spring Screw Stud
201466e	13728	Upper Needle Thread Pull-off Lever Hinge Screw
201467c	15426	Stop Lever Extension Lever Stop Screw
201468h	13707	Return Feed Crank Shaft Screw
201468h	13707	Thread Cutting Blade Operating Fork Shaft Cap Screw
201473c	13718	Return Feed Arm Swivel Screw
201475e	13718	" " " Hinge Screw
201484c	13707	Eyelet Cutting Shaft Hand Crank Position Screw, for 232383
201485c	13721	Starting Lever Unlocking Lever Stop Screw

Numerical List of Parts

No.	Plate	Name
201486c	15428	Throat Plate Holder Position Screw
201488f	13716	Looper Screw
201489d	15434	Work Clamp Check Thread Clamping Section Screw, for 250957 and 251047
201506b	15417	Drip Pan Clamp Thumb Screw Socket Lock Nut
201522e	15426	Starting Lever Roller Screw Nut
201524e	15417	Eyelet Cutting Carrier Lever Roller Screw Stud Nut, for 250021
201530e	15434	Work Clamp Carrier Side Throw Lever Slide Block Screw Stud Nut, for 232685
201531d	15417	Bed End Cover Catch Screw Nut
201531e	15417	Eyelet Cutting Starting Lever Latch Hinge Screw Nut
201531h	15417	Starting Lever Unlocking Lever Stop Screw Nut
201537h	15433	Work Clamp Arm Cam Stop Screw Nut, for 250939, 250941, 251041 and 251042
201628e	15426	Stop Lever Interlocking Slide Adjusting Screw Nut
201643e	15433	Work Clamp Carrier Base Plate Slide Rod Nut
201657c	13727	Under Needle Thread Nipper Screw Stud Nut (thread nipping)
201659c	13716	Looper and Under Needle Carrier Adjusting Nut
201659c	13716	Looper and Under Needle Carrier Adjusting Nut Locking Nut
201660c	13721	Stitch Regulating Gear Lock Nut
201661c	13718	Needle Bar Rotating Gear Adjusting Nut with 171d
201662c	15433	Work Clamp Carrier Regulator Adjusting Screw Stud Nut
201666e	13723	Stitch Rotating Lever (lower) Roller Screw Stud Nut
201672e	13707	Eyelet Cutting Pressure Wedge Adjusting Screw Nut, for 250538
201674h	15428	Throat Plate Holder Position Screw Nut
201696j	13941	Thread Unwinder Thread Guide Lock Nut, for 225376
201868	15433	Work Clamp Carrier Regulator Roller, for 232283
201871	13721	Stitch Rotating Lever (lower) Roller

Numerical List of Parts

No.	Plate	Name
201873	15433	Work Clamp Carrier Side Throw Lever Roller, for 201937
201892	15417	Eyelet Cutting Carrier Lever Roller, for 250021
201937	15433	Work Clamp Carrier Side Throw Lever Roller 201873 with 201144c and 232686, for 232685
202244	----	Counter Shaft Hanger Oil Packing (wick), for 228601
202260	----	Arm Shaft Bushing (back) Oil Packing (wick), for 232002
202260	----	Arm Shaft Bushing (front) Oil Packing (wick), for 232490
202260	----	Bed Shaft Bushing (back) Oil Packing (wick), for 232030
202260	----	Driving Pulley Shaft Bushing Oil Packing (wick), for 228571
202490	13944	Thread Unwinder Spool Stand with 200383c, for 225376
203149	13941	Eyelet Position Gauge Screw Washer
203149	13941	Work Position Gauge Screw Washer, for 250939, 250941, 251041 and 251042
203172	15414	Eyelet Cutting Shaft Hand Crank Washer
203184	15418	Drip Pan Clamp
203185	15417	" " " Thumb Screw Washer
204235	13701	Arm Position Pin
204264	13701	Bed End Cover Catch Releaser Stop Pin
204648	15424	Intermittent Feed Driving Wheel Driving Stud Position Pin, for 250866
206482	15419	Eyelet Cutting Lever Bracket Gib Adjusting Plate Screw Washer
206482	15419	Return Feed Starting Lever Guide Plate Screw Washer
206482	15419	Return Feed Starting Lever Latch Spring Screw Washer
210833	13871	Counter Shaft Collar with two 200383c, for 228596 and 228598
		Nos. 214179 to 214181, for 228627
214179	13941	Machine Driving Pulley Clutch Roller
214180	13941	Machine Driving Pulley Clutch Roller Spring Plunger

Numerical List of Parts

No.	Plate	Name
214181	13941	Machine Driving Pulley Clutch Roller Spring
222598	----	Needle Bar Connecting Link Stud Oil Packing (wick), for 232709
222598	----	Needle Bar Driving Swivel Oil Packing (wick), for 232569
224373	15419	Eyelet Cutting Lever (lower) Block Position Pin, for 250884 and 251034
224392	----	Eyelet Cutter Driving Pulley Shaft Bushing Oil Packing (wick), for 228580
225323	13944	Thread Unwinder Spool Rest (for one spool) with 201018c, for 225376
225325	13944	Thread Unwinder Spool Rest (for two spools with 201018c, for 225376
225375	13940	Thread Unwinder Spool Pin (wood), for 225376
225376	---	Thread Unwinder complete, Nos. 200164e, 201696a, 202490, 225323, 225325, 225388, 225393, 250453, 250454, 250472, 350192a, three each 200159e, 225375, 225390, 232417, 232895, 232896, 232987, 250424, four 225391 and three wood screws $\frac{3}{4}$ in., No. 12
225388	13941	Thread Unwinder Spool Rest Rod (upper), for 225376
225390	13940	Thread Unwinder Thread Cone Holder, for 225376
225391	13940	Thread Unwinder Thread Guide, for 225376
225393	13941	Thread Unwinder Thread Guide Screw Stud Washer, for 225376
*225483	----	Screw Driver Handle, for 250522
*225484	----	" " Blade, for 225498
*225485	----	" " Handle, for 225498
225498	13741	Screw Driver complete (7 $\frac{1}{2}$ in. long), Nos. 225484 and 225485
226163	13720	Return Feed Starting Lever Adjusting Arm Screw Washer
226163	13720	Stitch Rotating Sector (lower) Bracket Screw Washer
226163	13720	Throat Plate Screw Washer
228026	15419	Eyelet Cutting Driving Wheel Lock Spring Screw Washer
228026	15419	Finger Starting Lever Screw Washer, for 250939 and 251041

Numerical List of Parts

No.	Plate	Name
228026	15419	Starting Lever Locking Plate Screw Washer
228026	15419	Thread Cutting Blade Operating Arm Adjusting Screw Washer
Nos. 228565 to 228567, for 228596 and 228598		
228565	13870	Belt Shifter
228566	13870	" " Lever with 200526c
228567	13871	" " " Hinge Stud
228571	15437	Driving Pulley Shaft Bushing with 202260, for 228627
228573	13870	Driving Attachment Belt Guard with 228607, for 228627
228574	13870	Driving Attachment Bracket with 11119, 228575 and four 350028c, for 228627
228575	13871	Driving Attachment Bracket Oil Cup, for 228574
228578	---	Driving Attachment and Idler complete, Nos. 228587 and 228627, for 228599, 228600, 228606, 228609 and 228611
228579	15437	Eyelet Cutter Driving Pulley Shaft, for 228627
228580	15437	Eyelet Cutter Driving Pulley Shaft Bushing with 224392, for 228627
228581	13870	Idler Pulley, for 228587
228584	15437	" " Shaft with 228586, for 228587
228585	---	Idler Pulley Shaft Oil Wick, for 228586
228586	15437	Idler Pulley Shaft Oil Wick Wire with 228585, for 228584
228587	---	Idler complete, Nos. 228584, 228602, 228644, two each 228581, 228643 and three 200019e, for 228578
228588	13870	Counter Shaft Hanger Belt Guard (double), for 228596
Nos. 228590 to 228593, for 228596 and 228598		
228590	13870	Counter Shaft Driving Pulley (loose), 5 in. diameter
228591	13870	Counter Shaft Driving Pulley (tight), 5 in. diam., with 200352c and 200363c
228592	13870	Counter Shaft Pulley, 5 1/2 in. diam., with 200352c and 200363c

Numerical List of Parts

No.	Plate	Name
228593	15437	Counter Shaft (hollow) with 200370c and 228595
228594	---	Counter Shaft Oil Packing Wick, for 228595
228595	15437	Counter Shaft Oil Packing Wick Wire with 228594, for 228593
228596	---	Counter Shaft Hanger complete, for Old Style Power Table, Nos. 51080e, 200002e, 210833, 228565 to 228567, 228588, 228590 to 228593, 228601, 228602, 228632, two 51046e and three 41125, for 228599, 228609 and 228611
228597	13870	Counter Shaft Hanger Belt Guard (single), for 228598
228598	---	Counter Shaft Hanger complete, for Singer Safety Power Table, Nos. 51080e, 200002e, 210833, 228565 to 228567, 228590 to 228593, 228597, 228601, 228602, 228632, two 51046e and three 41125, for 228600 and 228606
228599	---	Driving Equipment complete, for Old Style Power Table (flat) and Singer Universal Power Table (flat), Nos. 27068, 228578, 228596, 228628, 228631, 234342, 234344 and blue print template
228600	---	Driving Equipment complete, for Singer Safety Power Table (flat) Nos. 41228, 228578, 228598, 228628, 228630, 234342, 234344 and blue print template
228601	13870	Counter Shaft Hanger with 200335c and 202244, for 228596 and 228598
228602	13871	Counter Shaft Oil Cup, for 228596 and 228598
228602	13871	Idler Pulley Shaft Oil Cup, for 228587
228604	---	Motor Base with four each 41125 and 51080e
228605	---	Driving Equipment complete, for Individual Motor Table, Nos. 228627 to 228629
228606	---	Driving Equipment complete, for Singer Safety Power Table (trough), Nos. 41228, 228578, 228598, 228628, 228630, 234343,

Numerical List of Parts

No.	Plate	Name
228607	13926	Driving Attachment Belt Guard Drain Valve, for 228573
228608	—	Belt Guide, for Bridgeport Old Style Power Table (trough) with two wood screws $\frac{3}{4}$ in., No. 10, for 228609
228609	—	Driving Equipment complete, for Bridgeport Old Style Power Table (trough) and Singer Universal Power Table (trough), Nos 27068, 228578, 228596, 228608, 228628, 228631, 234344 and blue print template
228610	—	Belt Guard, for E'port Old Style Power Table (trough) with two wood screws $\frac{3}{4}$ in., No. 10, for 228611 and 228613
228611	—	Driving Equipment complete, for E'port Old Style Power Table (trough), Nos. 27068, 228578, 228596, 228610, 228628, 228631, 234344 and blue print template
228612	—	Driving Equipment complete, for use in connection with Electric Transmitter Motor on Power Table (flat), Nos. 228627 to 228629, 234342, 234344 and blue print template
228613	—	Driving Equipment complete, for use in connection with Electric Transmitter Motor on Power Table (E'port trough), Nos. 228610, 228627 to 228629, 234344 and blue print template
		Nos. 228618 to 228626, for 228627
228618	13926	Eyelet Cutter Driving Pulley, 4 $\frac{1}{2}$ in. diam., with 200342c and 200347c
228619	13926	Eyelet Cutter Driving Pulley Driving Pinion, 16 teeth, with 454c
228620	13926	Eyelet Cutter Driving Pulley Shaft Gear, 48 teeth, with 448c
228621	13926	Machine Driving Pulley (loose), 3 $\frac{3}{4}$ in. diameter
228622	13926	Machine Driving Pulley Clutch
228623	13926	" " " Collar with two 200364c

Numerical List of Parts

No.	Plate	Name
228624	13926	Driving Pulley, 6 in. diam., with 200374c and 200396c
228625	13926	Driving Pulley Shaft
228626	13926	" " " Collar with two 200378c
228627	—	Driving Attachment complete, Nos. 50075r, 228573, 228574, 228579, 228580, 228618 to 228626, two each 2117, 228571, three each 41125, 51046e, 200050c and 214179 to 214181, for 228578, 228605, 228612, 228613, 228645 and 228646
228628	—	Belt (gilt edge), size $\frac{5}{8}$ in. diam., length 83 in., with two 25029, for 228599, 228600, 228605, 228606, 228609, 228611 to 228613, 228645 and 228646
228629	—	Belt (gilt edge), size $\frac{3}{4}$ in. diam., length 57 in., with 25030, for 228605, 228612 and 228613
228630	—	Belt (gilt edge), size $\frac{3}{4}$ in. diam., length 120 in., with two 25030, for 228600, 228606, 228645 and 228646
228631	—	Belt (gilt edge), size $\frac{3}{4}$ in. diam., length 133 in., with two 25030, for 228599, 228609 and 228611
228632	15416	Belt Shifter Locking Spring, for 228596 and 228598
228643	13870	Idler Pulley Belt Guard with 200526c, for 228587
228644	13870	Idler Pulley Bracket with 200526c, for 228587
228645	—	Driving Equipment complete, for Singer Universal Power Table (flat), Nos. 126715, 126870, 228627, 228628, 228630, 234349 and blue print template
228646	—	Driving Equipment complete, for Singer Universal Safety Power Table (trough), Nos. 126715, 126870, 228627, 228628, 228630, 234350 and blue print template
230795	15417	Bed Shaft Bushing (back) Oil Tube Pin
232002	15418	Arm Shaft Bushing (back) with 202260
232003	15418	Arm Shaft Hand Wheel with two 200341c

Numerical List of Parts

No.	Plate	Name
232025	13701	Bed End Cover Catch
232026	13701	" " " " Position Pin
232027	13701	" " " " Releaser
232028	13701	" " " " Position Pin
232030	15418	" Shaft Bushing (back) with 202260
232038	15417	Eyelet Cutting Carrier Lever Slide Block
232042	15423	Eyelet Cutting Driving Wheel with 50084e
232043	15419	Eyelet Cutting Driving Wheel Lock
232044	15419	" " " " " " Spring
232050	15420	Eyelet Cutting Lever Bracket Gib (right)
232051	15419	Eyelet Cutting Lever Hinge Stud
232052	13707	" " " " Spring
232054	13707	" " Pressure Wedge Adjusting Screw Collar, for 250538
232055	13707	Eyelet Cutting Pressure Wedge Adjusting Screw Collar Position Pin, for 250538
232055	13707	Looper Carrier Crank Driving Spiral Position Pin
232056	13707	Eyelet Cutting Pressure Wedge Boss, for 250805
232057	13707	Eyelet Cutting Pressure Wedge Post with 6620 and 232466
232063	15423	Eyelet Cutting Starting Lever with 201085c
232064	13707	Eyelet Cutting Starting Lever Latch
232065	13707	" " " " " " Spring
232067	13710	Eyelet Cutting Starting Lever Support
232099	15417	Bed Side Cover (left) Latch Spring Position Pin
232105	15428	Thread Cutting Blade Shaft Crank Pin, for 250957 and 251047
232110	15418	Driving Wheel with 200395c and two 232113
232112	13710	Driving Wheel Friction Gib
232113	13710	" " " " " " Position Pin, for 232110
232115	13710	Driving Wheel Stop Cam Spring
232130	13710	Feed Wheel Driving Rack (return feed), for 250903 and 251039
232150	15419	Eyelet Cutting Driving Wheel Position Pin

Numerical List of Parts

No.	Plate	Name
232154	15434	Work Clamp Connection Lever Position Pin, for 250939, 250941, 251041 and 251042
232176	15424	Needle Bar Driving Collar with 200083e
232177	15424	Needle Bar Bushing
232178	15424	" " Connecting Link
232235	13722	Starting Lever Lock with 201356e
232236	13721	" " " " Spring
232238	13721	" " " " Roller
232244	13701	Arm Shaft Bevel Gear Position Pin
232244	13701	Bed Shaft Bushing (front) Position Pin
232244	13701	Bed Shaft Looper Driving Gear Position Pin
232244	13701	Intermittent Feed Driving Wheel Bracket Position Pin
232244	13701	Upper Needle Thread Take-up Position Pin
232259	13723	Stop Button Pin
232261	15427	" Lever Lock
232263	15426	" " Friction Pad (rawhide)
232265	15426	" " Interlocking Slide Screw Washer
232267	15427	Stop Lever Shaft
232268	15427	" " Spring
232269	13721	Starting Lever Unlocking Lever Tripping Stud (for Feed Wheel, for 250903 and 251039)
232283	15430	Work Clamp Carrier Regulator with 201102c and 201868
232284	15435	Work Clamp Carrier Slide (left) with 2001190
232285	15435	Work Clamp Carrier Slide (right) with 2001190
232304	15433	Work Clamp Base Hinge Stud, for 250938 and 250940
232309	15433	Work Clamp Base Stop Block
232310	15421	Feed Wheel Driving Ring Friction Spring Adjusting Screw Guide Bracket Position Pin, for 250983
232310	15421	Feed Wheel Driving Ring Gib Position Pin (obsolete)
232310	15421	Looper Carrier Crank Driving Connection Position Pin
232310	15421	Under Needle Clamping Plate Position Pin, for 232640
232310	15421	Work Clamp Base Stop Block Position Pin

Numerical List of Parts

No.	Plate	Name
232321	15433	Work Clamp Carrier Side Throw Lever Slide Block
232327	15433	Work Clamp Base Clamping Plate Lifting Lever Rack Gear
232340	15424	Looper and Under Needle Driving Gear Position Pin
232343	15424	Looper and Under Needle Driving Fork Position Pin
232343	15424	Upper Needle Thread Tension Bracket Position Pin
232344	15426	Return Feed Starting Lever Clutch Plate Position Pin
232380	15419	Eyelet Cutting Lever Bracket Gib Adjusting Plate
232381	13721	Safety Plate
232383	15423	Eyelet Cutting Shaft Hand Crank with 201484c
232417	13940	Thread Unwinder Spool Pin, for 225376
232425	13721	Safety Cam, for 250903 and 251039
232426	13721	" " Position Pin, for 250903 and 251039
232428	13721	Safety Lever Spring
232434	15431	Upper Needle Thread Tension Re-leaser Connection Spring
232452	15422	Intermittent Feed Driving Wheel Shaft Gear with two 465c
232462	13733	Work Clamp Carrier Base Plate Slide Rod
232466	13707	Eyelet Cutting Pressure Wedge Adjusting Screw Lock Spring, for 232057
232472	15435	Driving Wheel (loose)
232475	15435	Eyelet Cutting Shaft Pulley (loose) with eight 232817
232482	13707	Eyelet Cutting Lever Spring Bracket, for 250895 and 251036
232483	13707	Eyelet Cutting Lever Spring Bracket Pin, for 250895 and 251036
232486	15435	Threading Wire (large)
*232487	-----	Arm
232488	15423	" Shaft
232489	13701	" " Bevel Gear (order Position Screw or Set Screw as required)
232490	15418	Arm Shaft Bushing (front) with 202260
*232492	---	Bed with 255509 to 255512 and eight 1094E

Numerical List of Parts

No.	Plate	Name
232493	---	Bed End Cover
232494	15423	" Shaft
232496	15418	" " Bushing (front)
232498	15418	" " Collar with 448c
232499	15418	" " Looper Driving Gear with 457c
232501	15423	Bed Side Cover (right)
232503	15423	Eyelet Cutting Carrier Cam with 200364c
232512	15423	Eyelet Cutting Shaft
232513	13707	" " " Pulley Bushing
232515	13727	Under Needle Thread Tension Spring
232516	15429	Under Needle Thread Leader (brass)
232517	13727	Under Needle Thread Leader Bracket
232520	15423	Face Plate
232521	15420	Feed Adjusting Gear
232522	15423	" " " Bracket
232523	15423	" " " " Clamping Post
232525	15420	Feed Driving Gear (intermediate) with 457c
232526	15420	Feed Driving Gear (intermediate) Shaft
232527	15420	Feed Hand Ratchet Lever
232530	13710	" Wheel Driving Pawl, for 250903 and 251039
232534	15436	Feed Wheel Driving Ring Gib (obsolete)
*232540	-----	Intermittent Feed Driving Wheel Bracket
232541	15424	Intermittent Feed Driving Wheel Position Pin
232542	15422	Intermittent Feed Driving Wheel Shaft
232546	15424	Looper Carrier
232547	13716	" " Crank (driven)
*232548	13716	" " " Driving Connection, for 255505
*232549	13716	Looper Carrier Crank Driving Spiral with 906E, for 255505
232550	13716	Looper Carrier Crank (driving)
232551	13716	" " " Bracket
232552	13716	" " Hinge Screw Bushing
232553	15422	" and Under Needle Carrier with 232634

Numerical List of Parts

No.	Plate	Name
*232554	—	Looper and Under Needle Carrier Frame with 232558 and three 896c
232555	13716	Looper and Under Needle Carrier Rotating Gear with 906c
232556	13716	Looper and Under Needle Carrier Rotating Gear Position Stud
232557	13716	Looper and Under Needle Driving Bar
*232558	—	Looper and Under Needle Driving Bar Bearing, for 232554
232559	13716	Looper and Under Needle Driving Connection with 232741
232561	15422	Looper and Under Needle Driving Shaft Bushing
232563	15422	Looper and Under Needle Driving Gear with 465c
232565	15424	Looper and Under Needle Driving Lever Link with two 208b
232566	15424	Looper and Under Needle Driving Link with 185n and two 208b
232568	15422	Needle Bar Driving Crank with 200394c and two 200382c
232569	15424	Needle Bar Driving Swivel with 222598
232571	13718	Needle Bar Rotating Gear
232572	13718	" Guard with 232573
232573	13718	" " Position Pin, for 232572
232574	15424	" Holder (adjustable) with 735c
232578	13722	Safety Lever
232579	13722	Starting Lever with 200363c
232580	13722	" " Cam Plate
232581	13721	" " Locking Plate
232582	13722	" " Unlocking Lever
232584	—	Stitch Regulating Gear, for 24 stitches
		Note: No. 232584 is furnished with this machine unless another Stitch Regulating Gear is specified on order.
232585	—	Stitch Regulating Gear, for 27 stitches
232586	—	Stitch Regulating Gear, for 29 stitches
232587	13721	Stitch Regulating Gear, for 33 stitches
232588	—	Stitch Regulating Gear, for 36 stitches
232589	—	Stitch Regulating Gear, for 41 stitches

Numerical List of Parts

No.	Plate	Name
232590	13722	Stitch Rotating Lever (lower) with 456c
232591	13722	Stitch Rotating Lever (upper) with 448c
232592	13723	Stitch Rotating Lever Connection (rear section) (upper), for 250409
232593	13723	Stitch Rotating Lever Connection (front section) (upper), for 250400
232595	13722	Stitch Rotating Lever Rock Shaft
232596	13722	" " Sector (lower)
232597	13722	" " " " Bracket
232598	13722	" " " " (upper)
232599	15427	" " " " Bracket
232632	15428	Throat Plate Holder with 201365c and 201368c
232633	—	Throat Plate Holder Lock complete Nos. 191b, 232811 and 232812
232634	15428	Throat Plate Holder Stop Stud, for 232553
232635	15429	Throat Plate Locking Ring
232636	13727	" " Tipping Point
232638	13727	Under Needle Carrier Bracket
*232639	13727	" " " " Connecting Link with four 220b, for 255506
232640	13727	Under Needle Clamping Plate with 232310
232646	13727	Under Needle Thread Controller Plate
232648	13727	Under Needle Thread Guide
232649	13727	" " " " Nipper Block
232650	13727	" " " " Lever
232651	13727	" " " " Screw Stud Spring
232652	13727	Under Needle Thread Pull-off
232653	15427	" " " " Tension Bracket
232654	13728	Upper Needle Thread Guide, for 232663
232655	13728	Upper Needle Thread Pull-off
232656	13728	" " " " Guide Bracket with 196c
232657	13733	Upper Needle Thread Pull-off Lever (front section)
232658	13733	Upper Needle Thread Pull-off Lever (rear section)
232659	13728	Upper Needle Thread Pull-off Lever Spring
232660	13728	Upper Needle Thread Take-up with two 457c

Numerical List of Parts

No.	Plate	Name
232661	13728	Upper Needle Thread Take-up Thread Guide, for 232663
232662	13733	Upper Needle Thread Take-up Thread Guide Bracket with 735c and 1159F, for 232663
232663	—	Upper Needle Thread Take-up Thread Guide Bracket complete, Nos. 232654, 232661, 232662, 232664 to 232666, 232794 and six 2330
Nos. 232664 to 232666, for 232663		
232664	15431	Upper Needle Thread Take-up Thread Guide Hinge Pin
232665	15431	Upper Needle Thread Take-up Thread Guide Spring Latch
232666	15431	Upper Needle Thread Take-up Thread Stripper
232667	13733	Upper Needle Thread Tension Bracket
232668	13733	Upper Needle Thread Tension Releaser Arm
232673	13733	Vertical Shaft Bevel Gear (upper) (order Position Screw or Set Screw, as required)
232678	15434	Work Clamp Base Locking Spring (left)
232679	15434	Work Clamp Base Locking Spring (right)
232684	15433	Work Clamp Carrier Regulator Slide Block
232685	15435	Work Clamp Carrier Side Throw Lever with 201097c, 201374E, 201530E and 201937
232686	15433	Work Clamp Carrier Side Throw Lever Roller Stud, for 201937
232709	15424	Needle Bar Connecting Link Stud with 222598
232710	15430	Vertical Shaft Bushing (upper)
232711	13727	Under Needle Thread Bushing, for 232559
232712	13701	Bed End Cover Hinge
232713	15430	Vertical Shaft Bushing (lower)
232717	15426	Stitch Rotating Lever Connection Screw Washer (upper), for 250400
232718	13707	Eyelet Cutting Starting Lever Hinge Stud
232719	15417	Bed Shaft Bevel Gear Position Pin

Numerical List of Parts

No.	Plate	Name
232719	15417	Stitch Rotating Lever (lower) Position Pin
232719	15417	Vertical Shaft Bevel Gear (lower) Position Pin
232721	13710	Feed Driving Gear (intermediate) Position Pin
232721	13710	Thread Cutting Blade Operating Cam Position Pin
232721	13710	Upper Needle Thread Tension Releaser Cam Pin
232724	15419	Eyelet Cutting Driving Wheel Lock Stop Plate
232725	15418	Belt Guard
232726	13710	Eyelet Position Gauge
232734	15425	Return Feed Arm
232735	13718	" " " Swivel
232736	13718	" " " " Collar with 200119F
232737	15425	Return Feed Connection with Two 171E
232739	13718	Return Feed Crank Shaft Bushing
232740	13718	" " " " Clutch Lock
232741	13718	Return Feed Crank Shaft Clutch Lock Plate
232742	13718	Return Feed Crank Shaft Clutch Lock Spring
232743	13718	Return Feed Crank Shaft Clutch Plate, for 232745
232744	15422	Return Feed Crank Shaft Driver with 452c
232745	15425	Return Feed Crank Shaft Gear with six each 207E and 232743
232746	15422	Return Feed Driving Gear
232747	15425	" " Gear Guard
232748	13718	" " Pawl
232749	13718	" " " Spring
232750	15425	" " Starting Lever
232751	13720	" " " " Adjusting Arm
232752	13720	Return Feed Starting Lever Clutch Plate
232753	13720	Return Feed Starting Lever Guide Plate
232754	13720	Return Feed Starting Lever Latch with 232755
232755	13720	Return Feed Starting Lever Latch Pin, for 232754

Numerical List of Parts

No.	Plate	Name
232756	13720	Return Feed Starting Lever Latch Spring
232757	13720	Return Feed Starting Lever Releasing Lever
232758	13720	Return Feed Starting Lever Releasing Lever Safety Arm
232759	13720	Return Feed Starting Lever Trip with 232763
232760	13720	Return Feed Starting Lever Trip Lever
232761	13720	Return Feed Starting Lever Trip Lever Link
232762	13720	Return Feed Starting Lever Trip Spring
232763	13721	Return Feed Starting Lever Trip Stop Pin, for 232759
232764	---	Stitch Rotating Lever Connection (lower) complete, Nos. 232807, 232808, two each 172b and 39504
232765	15427	Stop Lever Extension Lever
232766	13723	" " " Spring
232779	15427	Thread Cutting Blade Operating Fork Spring
232792	15427	Upper Needle Thread Leader
232794	15431	" " " Take up Thread Guide Bracket Plate, for 232663
232795	15430	Upper Needle Thread Tension Releaser Cam with 209f
232796	13733	Upper Needle Thread Tension Releaser Connection (lower section)
232797	13733	Upper Needle Thread Tension Releaser Connection (upper section)
232799	15431	Upper Needle Thread Tension Thread Guide
232806	15434	Work Clamp Check Thread Clamping Section Position Pin, for 250956 and 251046
232807	13723	Stitch Rotating Lever Connection (front section) (lower), for 232761
232808	13723	Stitch Rotating Lever Connection (rear section) (lower), for 232764
232811	15428	Throat Plate Holder Lock Section (front), for 232633
232812	15428	Throat Plate Holder Lock Section (rear), for 232633
232813	15424	Needle Bar Guide
232814	15424	" " " Screw Washer
232817	15419	Eyelet Cutting Shaft Pulley Stud, for 232475

Numerical List of Parts

No.	Plate	Name
232819	15432	Wrench
232821	15417	Bed Shaft Bushing (back) Oil Tube (brass)
232822	15419	Eyelet Cutting Punch Stop
232829	13727	Under Needle Stop Plate
232831	15420	Eyelet Cutting Starting Lever Lock
232833	15420	Finger Starting Connection
232838	15422	" " Rod
232839	15421	" " " Collar (back) with 237f
232840	15421	Finger Starting Rod Collar (front) with 201288b
232842	13720	Return Feed Starting Lever Adjusting Arm Spring
232849	15429	Stitch Rotating Sector (upper) and Gear Guard with two 448c
232850	15431	Under Needle Carrier Cap Screw Washer
232861	15425	Stitch Rotating Sector (lower) Guard
232862	15429	Stitch Rotating Sector (upper) and Gear Guard Cover
232863	15431	Under Needle Thread Guide Wire
232864	15425	Feed Wheel Chip Guard
232866	15424	Looper and Under Needle Carrier Frame Position Pin
232879	---	Shaft Pulley (sectional, grooved) 5½ in. diam., 1⅜ in. bore, with two 597c
232880	---	Shaft Pulley (sectional, grooved) 6½ in. diam., 1⅜ in. bore, with two 597c
232881	---	Shaft Pulley (sectional, grooved), 7½ in. diam., 1⅜ in. bore, with two 597c
232882	---	Shaft Pulley (sectional, grooved), 8½ in. diam., 1⅜ in. bore, with two 597c
232883	---	Shaft Pulley (sectional, grooved), 9½ in. diam., 1⅜ in. bore, with two 597c
232895	13940	Thread Unwinder Spool Pin Arm with 759c, for 225376
232896	13940	Thread Unwinder Spool Pin Arm Bracket with two 448c, for 225376
232900	13741	Wrench, for 201362
232920	---	Shaft Pulley (sectional, grooved), 4 in. diam., 1⅜ in. bore, with two 597c

Numerical List of Parts

No.	Plate	Name
232930	13701	Bed Cushion (felt) (back), for 232954
232931	13701	Bed Cushion (felt) (front), for 232954
232932	13741	Wrench
232935	13741	"
232936	13701	Bed Cushion (rawhide) (back), for 232954
232937	13701	Bed Cushion (rawhide) (front), for 232954
232938	15418	Bed Hinge
232954	---	Drip Pan with 232930, 232931, 232936, 232937, two 232982 and four 200567H
232981	15416	Machine Rest with 232982 and two wood screws 1 in., No. 13
232982	---	Bed Cushion (leather), for 232954
232982	---	Machine Rest Cushion (leather), for 232981
232987	13944	Thread Unwinder Spool Rest Cushion (felt), for 225376
234342	---	Front Plank Extension (back) with two wood screws 1½ in., No. 10 (for flat table), for 228599, 228600 and 228612
234343	---	Front Plank Extension (back) with three wood screws 1½ in., No. 10 and six 1½ in. wire nails, for Singer Safety Power Table (trough), for 228606
234344	---	Front Plank Extension (front) with two wood screws 2¼ in., No. 12 and three wood screws 1¾ in., No. 12, for 228599, 228600, 228606, 228609 and 228611 to 228613
234349	---	Front Plank Extension (back) with four wood screws 1½ in., No. 10, for Singer Universal Safety Power Table (flat), for 228645
234350	---	Front Plank Extension (back) with six wood screws 1½ in., No. 10, for Singer Universal Safety Power Table (trough), for 228646
249820	15432	Wrench, for 1550
249828	15428	Thread Cutting Blade Shaft Crank with 906c, for 250957 and 251047
250021	15418	Eyelet Cutting Carrier Lever with 990b, 201366c, 201524e and 201892

Numerical List of Parts

No.	Plate	Name
250236	15429	Work Clamp Base (left) Guard, for 250939 and 251041
250238	15429	Work Clamp Base (right) Guard, for 250941 and 251042
250241	15433	Work Clamp Base Spring (left), for 250939 and 251041
250242	15433	Work Clamp Base Spring (right), for 250941 and 251042
250274	15436	Work Clamp Opening Rod Guide with 808D
250275	15436	Work Clamp Opening Stop (adjustable), for 250941 and 251042
250400	---	Stitch Rotating Lever Connection (upper) complete, Nos. 232592, 232593, 232717 and two 193D
250412	15432	Threading Wire (small)
250416	15427	Stop Lever Interlocking Slide Spring
250419	15421	Finger Starting Lever Hinge Block, for 250939 and 251041
250424	13940	Thread Unwinder Spool Pin Cap, for 225376
250428	15436	Work Clamp Opening Rod Spring
250435	15421	Finger Starting Lever Stud (back), for 250909
250451	15414	Bed Shaft Bushing (front) Oil Tank Bracket
250453	13944	Thread Unwinder Spool Rest Rod (lower), for 225376
250454	13940	Thread Unwinder Spool Rest Rod Coupling with two 456c, for 225376
250472	13940	Thread Unwinder Thread Cop Holder, for 225376
*250521	---	Screw Driver Blade, for 250522
250522	13741	Screw Driver complete (for needle set screw), Nos. 225483 and 250521
250538	---	Eyelet Cutting Pressure Wedge Adjusting Screw 201155D with 2273, 201672e, 232054 and 232055
250551	15430	Work Clamp Opening Lever (front) with 1253c, for 250939 and 251041
250589	15424	Intermittent Feed Driving Wheel Driving Stud, for 250866
250597	15415	Work Clamp Carrier Slide Stay Plate Position Pin
250801	15423	Arm Side Cover
250805	15420	Eyelet Cutting Pressure Wedge with 232056

Numerical List of Parts

No.	Plate	Name
250811	15422	Intermittent Feed Driving Wheel with two 465c
250814	15426	Thread Cutting Blade Operating Cam with 462c
250815	15429	Thread Cutting Blade Operating Connection
250816	15427	Thread Cutting Blade Operating Fork with 200019c
250817	15429	Thread Cutting Blade Operating Lever
250821	15431	Under Needle Carrier
250835	15422	Needle Bar
250840	15417	Eyelet Cutting Punch, $\frac{1}{16}$ in. diameter
250841	15417	Eyelet Cutting Punch, $\frac{3}{32}$ in. diameter
250842	15417	Eyelet Cutting Punch, $\frac{1}{4}$ in. diameter
250843	15417	Eyelet Cutting Punch, $\frac{3}{8}$ in. diameter
250844	15417	Eyelet Cutting Punch, $\frac{5}{8}$ in. diameter
250858	15417	Eyelet Cutting Block (steel)
250866	15429	Vertical Shaft with two each 204648 and 250589
250867	15428	Throat Plate Shim, .005, .010, .012, .015 or .025 in. thick
250875	15431	Under Thread Clamping Spring and Cutter, for 250939 and 251041
250883	15423	Eyelet Cutting Lever (lower)
250884	15419	" " " " Block with 224373, for Machine No. 99w67
250887	15423	Bed Side Cover (left)
250888	15418	" " " " Latch Spring
250889	15417	Eyelet Cutting Carrier Lever Adjusting Screw Stud Sleeve
250890	15418	Eyelet Cutting Chip Spout
250891	15418	" " " " Extension (coil wire)
250892	15419	Eyelet Cutting Chip Spout Spring Cover, for Machine No. 99w67
250893	15419	Eyelet Cutting Chip Spout Spring Cover Block
250894	15420	Eyelet Cutting Lever (lower) Cam with 448c
250895	15423	Eyelet Cutting Lever (upper) with 232482 and two 232483, for Machine No. 99w67

Numerical List of Parts

No.	Plate	Name
250896	15420	Eyelet Cutting Lever (upper) Cam with 448c
250897	15420	Eyelet Cutting Lever Bracket with 200083a
250898	15419	Eyelet Cutting Punch Holder with 219c, for Machine No. 99w67
250899	15420	Feed Hand Ratchet Lever Pawl
250900	- - -	" Wheel (obsolete), for Machine No. 99w67
250903	- - -	Feed Wheel complete, Nos. 59b, 164b, 201362c, 201384b, 232130, 232269, 232425, 232426, 250907, 250928, 250977 to 250979, 250981 to 250985, 350323c, two each 200055b, 200581b, 201207b, 250980, three each 201385c, 232530 and 255537
250904	15425	Feed Wheel Overthrow Safety Lever
250905	15425	Feed Wheel Overthrow Safety Lever Operating Lever
250906	15421	Feed Wheel Overthrow Safety Lever Spring
250907	15421	Feed Wheel Overthrow Stop Plate, for 250903 and 251039
250908	15420	Finger Starting Bell Crank
250909	15425	" " Lever with 250435 and 250972, for 250939 and 251041
250910	15425	Return Feed Crank Shaft with 399b, 402b and 255591
250911	15422	Starting Lever Unlocking Lever Tripping Point
250912	15426	Stop Button
250913	15426	Thread Clamping Blade, for 250957 and 251047
250914	15426	Thread Cutting Blade, for 250957 and 251047
250915	15426	Thread Cutting Blade Connecting Rod, for 250974
250918	15427	Thread Cutting Blade Operating Arm (adjustable)
250919	15427	Thread Cutting Blade Operating Fork Shaft
250920	15427	Thread Cutting Blade Operating Rod, for 250941 and 251042
250921	15427	Thread Cutting Blade Operating Rod Bracket, for 250941 and 251042

Numerical List of Parts

No.	Plate	Name
250923	15426	Thread Cutting Blade Operating Rod Collar (back) with 237F, for 250941 and 251042
250924	15426	Thread Cutting Blade Operating Rod Collar (front) with 237F, for 250941 and 251042
250926	15428	Thread Cutting Retrimming Operating Lever with 191c
250927	15436	Thread Cutting Retrimming Operating Lever Cam Plate (obsolete)
250928	15428	Thread Cutting Retrimming Operating Lever Cam Plate Separator Collar, for 250903 and 251039
250929	15427	Thread Cutting Retrimming Rod
250930	15428	" " " " Collar with 237F
250931	15428	Throat Plate, for Machine No. 99w67
250932	15429	Work Clamp Arm (left), for 250939 and 251041
250933	15429	Work Clamp Arm (right), for 250941 and 251042
250934	15429	Work Clamp Arm Bracket (left), for 250939 and 251041
250935	15429	Work Clamp Arm Bracket (right), for 250941 and 251042
250936	15431	Work Clamp Arm Cam Shaft (left), for 250939 and 251041
250937	15433	Work Clamp Arm Cam Shaft (right), for 250941 and 251042
250938	15429	Work Clamp Base (left) with 232304, for 250939 and 251041
250939	----	Work Clamp Base (left) 250938 with 194c, 217E, 792D, 7071, 10249, 13218, 200051E, 200097c, 200161D, 200186B, 201237E, 201537H, 203149, 228026, 232154, 250236, 250241, 250419, 250551, 250875, 250909, 250932, 250934, 250936, 250942, 250945, 250950, 250955, 250958, 250966, 251518, 251519, 252184, 253666, 255003, 255016, 255093, 350080D, 350106E, two each 237F, 2269, 201129D, 350123E, four 1443F and five 934H, for Machine No. 99w67
250940	15429	Work Clamp Base (right) with 232304, for 250941 and 251042

Numerical List of Parts

No.	Plate	Name
250941	----	Work Clamp Base (right) 250940 with 99c, 110c, 792D, 974F, 2273, 13218, 40045, 200051E, 200161D, 201237E, 201537H, 203149, 232154, 250238, 250242, 250275, 250920, 250921, 250923, 250924, 250933, 250935, 250937, 250943, 250944, 250950, 250957, 250958, 250964, 250967, 250974 to 250976, 252184, 253666, 255003, 255016, 255094, 350106E, 350265c, two each 237F, 2269, 201129D, 350123E, four each 207F, 1443F and five 934H, for Machine No. 99w67
250942	15429	Work Clamp Base Clamping Plate (left), for 250939
250943	15429	Work Clamp Base Clamping Plate (right), for 250941
250944	15433	Work Clamp Base Clamping Plate Hinge Plate (right), for 250941 and 251042
250945	15433	Work Clamp Base Clamping Plate Hinge Plate (left), for 250939 and 251041
250946	15430	Work Clamp Base Clamping Plate Lifting Lever
250947	15430	Work Clamp Base Clamping Plate Lifting Lever Link
250948	15430	Work Clamp Base Clamping Plate Lifting Lever Rack
250949	15433	Work Clamp Base Clamping Plate Lifting Lever Support
250950	15433	Work Clamp Base Clamping Plate Spring, for 250939, 250941, 251041 and 251042
250951	15435	Work Clamp Base Lock Plate
250952	15435	" " Carrier Base Plate
250953	15430	" " " Side Throw Lever Slide Block Guide
250954	15435	Work Clamp Carrier Slide Stay Plate
250955	15434	Work Clamp Check (left), for 250939
250956	15434	" " " (thread cutting) with 232806, for 250957
250957	----	Work Clamp Check (thread cutting) 250956 with 219F, 662D, 1348E, 201406E, 201489D, 232105, 249828, 250913, 250914, 250959 to 250962 and 251008, for 250941

Numerical List of Parts

No.	Plate	Name
250958	15434	Work Clamp Check Hinge Pin, for 250939, 250941, 251041 and 251042
Nos. 250959 to 250962, for 250957		
250959	15434	Work Clamp Check Thread Clamping Section, for Machine No. 99w67
250960	15434	Work Clamp Check Thread Clamping Section Separator Washer; also for 251047
250961	15434	Work Clamp Check Thread Clamping Section Spring; also for 251047
250962	15434	Work Clamp Check Thread Cutting Blade
250963	15435	Work Clamp Closing Lever
250964	15430	" " " " (hand) with 209F, for 250941 and 251042
250965	15434	Work Clamp Closing Lever Spring
250966	15430	" " Connection Lever (left) with 209F, for 250939 and 251041
250967	15430	Work Clamp Connection Lever (right) with 735E, for 250941 and 251042
250968	15430	Work Clamp Opening Lever (back)
250969	15430	" " " " Adjustable Section
250970	15430	Work Clamp Opening Lever Operating Disc with 465c, 1330c and 1521E
250971	15430	Work Clamp Opening Rod
250972	15421	Finger Starting Lever Stud (front), for 250909
250973	15426	Thread Cutting Blade Connecting Rod Connection, for 250974
Nos. 250974 to 250976, for 250941 and 251042		
250974	---	Thread Cutting Blade Connecting Rod complete, Nos. 1695E, 250915 and 250973
250975	15428	Thread Cutting Blade Operating Rod Lever
250976	15428	Thread Cutting Blade Operating Rod Spring
250977	15425	Feed Wheel, for 250903

Numerical List of Parts

No.	Plate	Name
Nos. 250978 to 250985, for 250903 and 251039		
250978	15428	Thread Cutting Retrimming Operating Lever Cam Plate
250979	15428	Thread Cutting Retrimming Operating Lever Cam Plate Position Pin
250980	15421	Feed Wheel Driving Ring Retaining Washer
250981	15425	Feed Wheel Driving Ring Friction Spring
250982	15421	Feed Wheel Driving Ring Friction Spring Adjusting Block
250983	15421	Feed Wheel Driving Ring Friction Spring Adjusting Screw Guide Bracket with two 232310
250984	15421	Feed Wheel Driving Ring Friction Spring Adjusting Screw Spring
250985	15425	Feed Wheel Driving Ring
251008	15428	Thread Cutting Blade Shaft, for 250957 and 251047
251025	15416	Driving Wheel Stop Cam Position Collar with 1036c
251026	15416	Stop Lever with 200352c
Nos. 251034 to 251050, for Machine No. 99w68		
251034	15419	Eyelet Cutting Lever (lower) Block with 224373
251035	15419	Eyelet Cutting Chip Spout Spring Cover
251036	15423	Eyelet Cutting Lever (upper) with 232482 and two 232483
251037	15419	Eyelet Cutting Punch Holder with 219F
251038	---	Feed Wheel (obsolete), for Machine No. 99w68
251039	---	Feed Wheel complete, Nos. 59D, 164D, 201362c, 201384D, 232130, 232269, 232425, 232426, 250907, 250928, 250978, 250979, 250981 to 250985, 251050, 350323c, two each 200355D, 200581D, 201207D, 250980, three each 201385c, 232530 and 255537
251040	15428	Throat Plate

Numerical List of Parts

No.	Plate	Name
251041	---	Work Clamp Base (left) 250938 with 194c, 217E, 792D, 7071, 10249, 13218, 200051E, 200097C, 200161D, 200186B, 201237E, 201537H, 203149, 228026, 232154, 250236, 250241, 250419, 250551, 250875, 250909, 250932, 250934, 250936, 250945, 250950, 250958, 250966, 251043, 251045, 251518, 251519, 252181, 253666, 255003, 255016, 255092, 350080D, 350106E, two each 237E, 2269, 201129D, 350123E, four 1443F and five 934H
251042	---	Work Clamp Base (right) 250940 with 99c, 110c, 792D, 974E, 2273, 13218, 40045, 200051E, 200161D, 201237E, 201537H, 203149, 232154, 250238, 250242, 250275, 250920, 250921, 250923, 250924, 250933, 250935, 250937, 250944, 250950, 250958, 250964, 250967, 250974 to 250976, 251044, 251047, 252184, 253666, 255003, 255016, 255094, 350106E, 350265C, two each 237E, 2269, 201129D, 350123E, four each 207F, 1443F and five 934H
251043	15429	Work Clamp Base Clamping Plate (left), for 251041
251044	15429	Work Clamp Base Clamping Plate (right), for 251042
251045	15434	Work Clamp Check (left), for 251041
251046	15434	Work Clamp Check (thread cutting) with 232806, for 251047
251047	---	Work Clamp Check 251046 with 219E, 662D, 1348E, 201406E, 201489D, 232105, 249828, 250913, 250914, 250960, 250961, 251008, 251048 and 251049, for 251042
251048	15434	Work Clamp Check Thread Clamping Section, for 251047
251049	15434	Work Clamp Check Thread Cutting Blade, for 251047
251050	15425	Feed Wheel, for 251039
251518	15421	Finger Starting Lever Spring, for 250939 and 251041
251519	15434	Work Clamp Opening Lever Latch, for 250939 and 251041

Numerical List of Parts

No.	Plate	Name
252184	15433	Work Clamp Arm Hinge Block, for 250939, 250941, 251041 and 251042
253666	15431	Work Clamp Arm Cam with 209F, for 250939, 250941, 251041 and 251042
253679	15434	Work Clamp Opening Lever Latch Releasing Bracket with 200E, 1547J and 350218C
255003	15430	Work Clamp Spring, for 250939, 250941, 251041 and 251042
255016	15430	Work Clamp Spring Wear Plate, for 250939, 250941, 251041 and 251042
255093	13941	Work Position Gauge (left), for 250939 and 251041
255094	13941	Work Position Gauge (right), for 250941 and 251042
255099	15414	Stop Lever Interlocking Slide
255501	15424	Return Feed Crank Shaft Cam Plate, for 250910
255502	15426	Return Feed Starting Lever Trip Lever Hinge Stud
255503	15429	Stop Lever Bracket with 357
255505	---	Looper Carrier Crank Driving Connection 232548 with 232549
255506	---	Under Needle Carrier Connecting Link 232639 with two 201379C
255507	15416	Driving Wheel Stop Cam
Nos. 255509 to 255512, for 232492		
255509	15415	Work Clamp Carrier Slide Gib (left, back)
255510	15415	Work Clamp Carrier Slide Gib (left, front)
255511	15415	Work Clamp Carrier Slide Gib (right, back)
255512	15415	Work Clamp Carrier Slide Gib (right, front)
255513	13741	Tweezers
255514	15414	Looper and Under Needle Driving Crank, for 255526
255516	15414	Looper and Under Needle Driving Crank Locking Stud Spring, for 255526
255517	15414	Looper and Under Needle Driving Lever with 175D
255521	15416	Bed Shaft Bevel Gear with two 453C

From the Library of: Diamond Heeler Corp

Numerical List of Parts

No.	Plate	Name
255522	15416	Vertical Shaft Bevel Gear (lower) with two 453c
255524	15414	Looper and Under Needle Driving Crank Locking Stud, for 255526
255525	15414	Looper and Under Needle Driving Shaft, for 255526
255526	---	Looper and Under Needle Driving Shaft 255525 with 1239b, 201144e, 255514, 255516 and 255524
255527	15416	Bed Shaft Bushing (front) Oil Tube (brass)
255528	15424	Looper
255529	15424	" Adjusting Gib
255533	15432	Wrench
255534	15420	Eyelet Cutting Lever Bracket Gib (left)
255535	15424	Looper and Under Needle Driving Fork with 200c, 255536 and two 233b
255536	15424	Looper and Under Needle Driving Fork Plate, for 255535
255537	15421	Feed Wheel Driving Pawl Spring, for 250903 and 251039
350028c	13871	Driving Pulley Shaft Bushing Set Screw, for 228574
350028c	13871	Eyelet Cutter Driving Pulley Shaft Bushing Set Screw, for 228574
350064c	15424	Looper Carrier Hinge Screw
350067e	15428	Under Needle Carrier Cap Screw
350080b	15421	Finger Starting Lever Hinge Block Hinge Screw, for 250939 and 251041
350106e	15433	Work Clamp Arm Spring Screw, for 250939, 250941, 251041 and 251042
350123e	15433	Work Clamp Arm Hinge Block Hinge Screw, for 250939, 250941, 251041 and 251042
350148b	15419	Eyelet Cutting Starting Lever Latch Hinge Screw
350150e	15417	Drip Pan Clamp Thumb Screw Socket
350192j	13941	Thread Unwinder Thread Guide Screw Stud, for 225376
350218c	15434	Work Clamp Opening Lever Latch Releasing Screw, for 253679
350223e	15414	Arm Shaft Bevel Gear Position Screw

Numerical List of Parts

No.	Plate	Name
350223e	15414	Vertical Shaft Bevel Gear Position Screw
350248n	15414	Under Needle Clamping Plate Screw
350263e	15414	Stop Lever Bracket Screw
350265c	15426	Thread Cutting Blade Connecting Rod Hinge Screw, for 250941 and 251042
350290n	---	Eyelet Cutting Shaft Hand Crank Cap Screw
350304e	15419	Eyelet Cutting Lever Bracket Gib (left) Screw
350305c	15421	Feed Wheel Overthrow Safety Lever Operating Lever Screw Stud
350306c	15426	Starting Lever Roller Screw
350307c	15428	Thread Cutting Retrimming Screw Bushing
350316e	15434	Work Clamp Carrier Slide Start Plate Screw
350323c	15421	Feed Wheel Driving Ring Friction Spring Adjusting Screw, for 250903 and 251039

SINGER Needles should be used
in SINGER Machines.
These Needles and their Containers
are marked with the
Company's Trade Mark "SIMANCO.***" 1

Needles in Containers marked
"FOR SINGER MACHINES"
are NOT **SINGER** made needles. 2

**ILLUSTRATIONS
OF
PARTS**

From the library of: Diamond Needle Corp



PLATE 13701—FULL SIZE

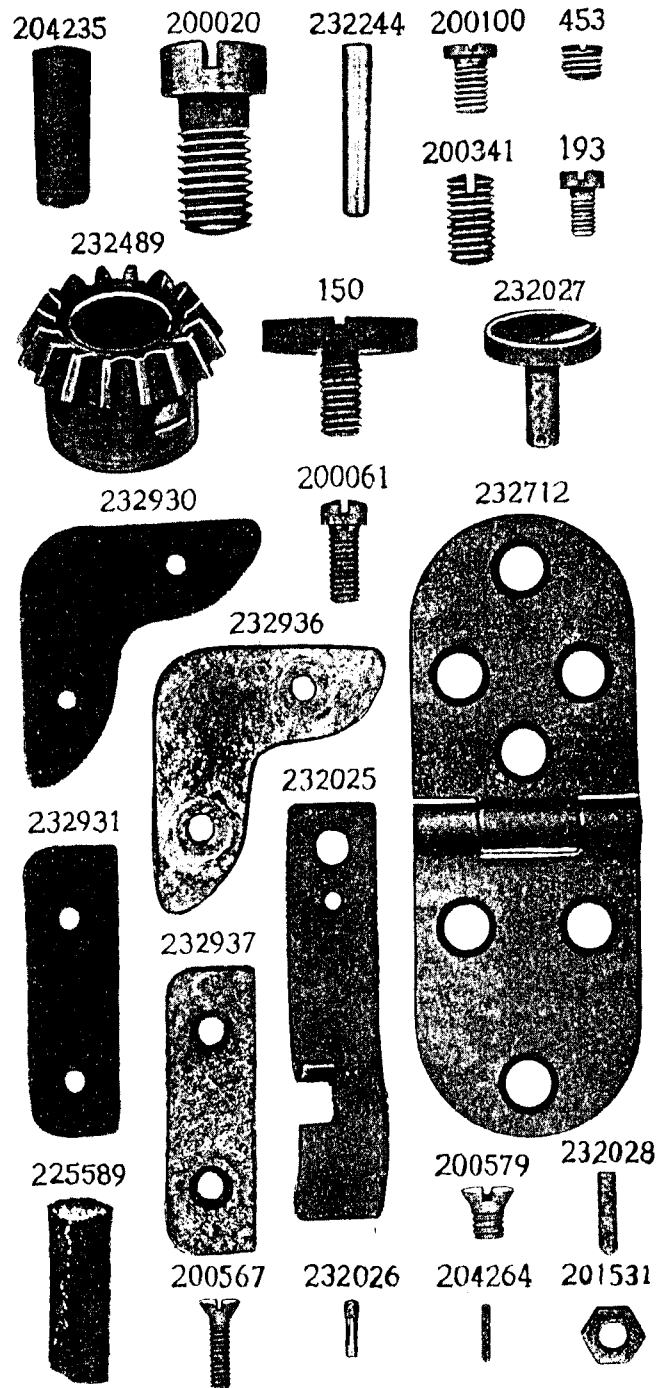


PLATE 13707—FULL SIZE

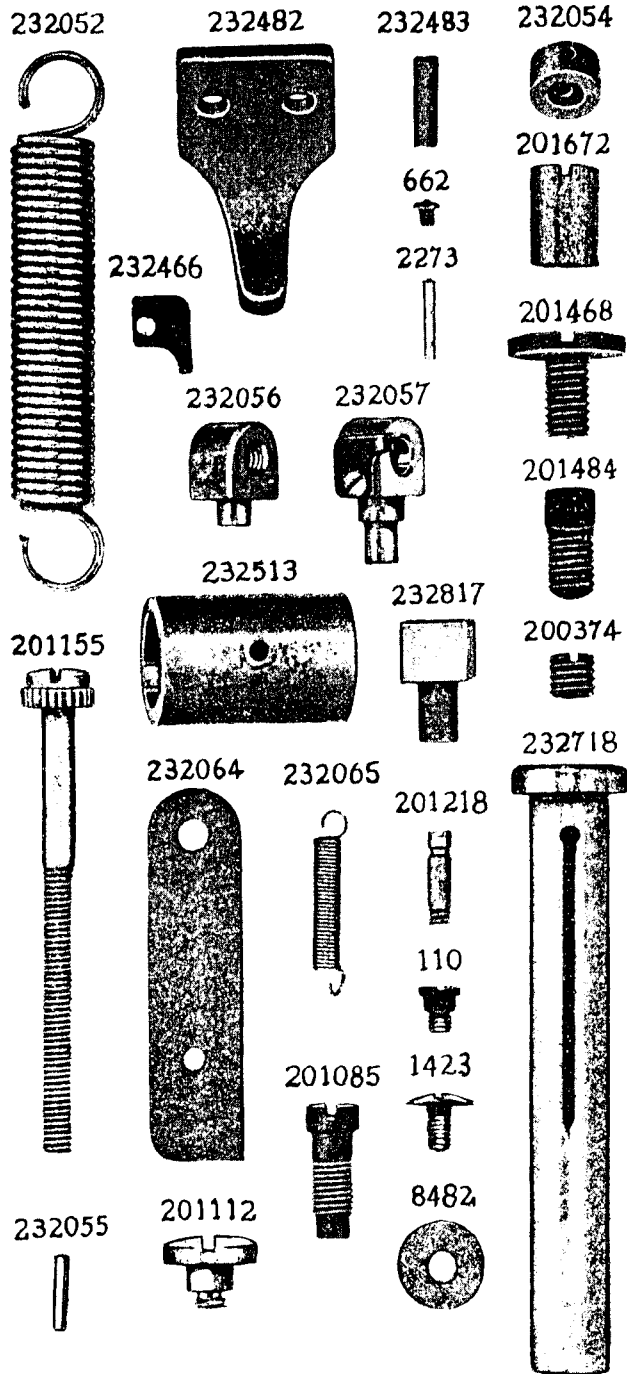
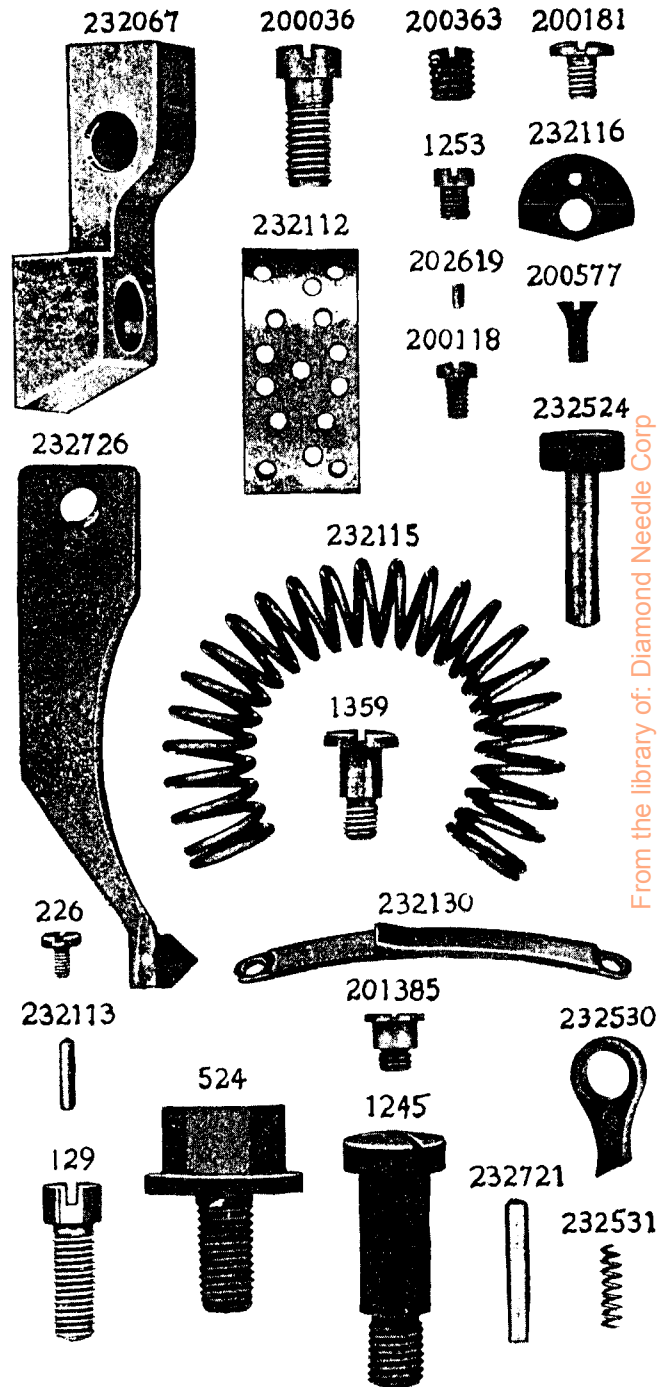


PLATE 13710—FULL SIZE



From the library of: Diamond Needle Corp

PLATE 13716—FULL SIZE

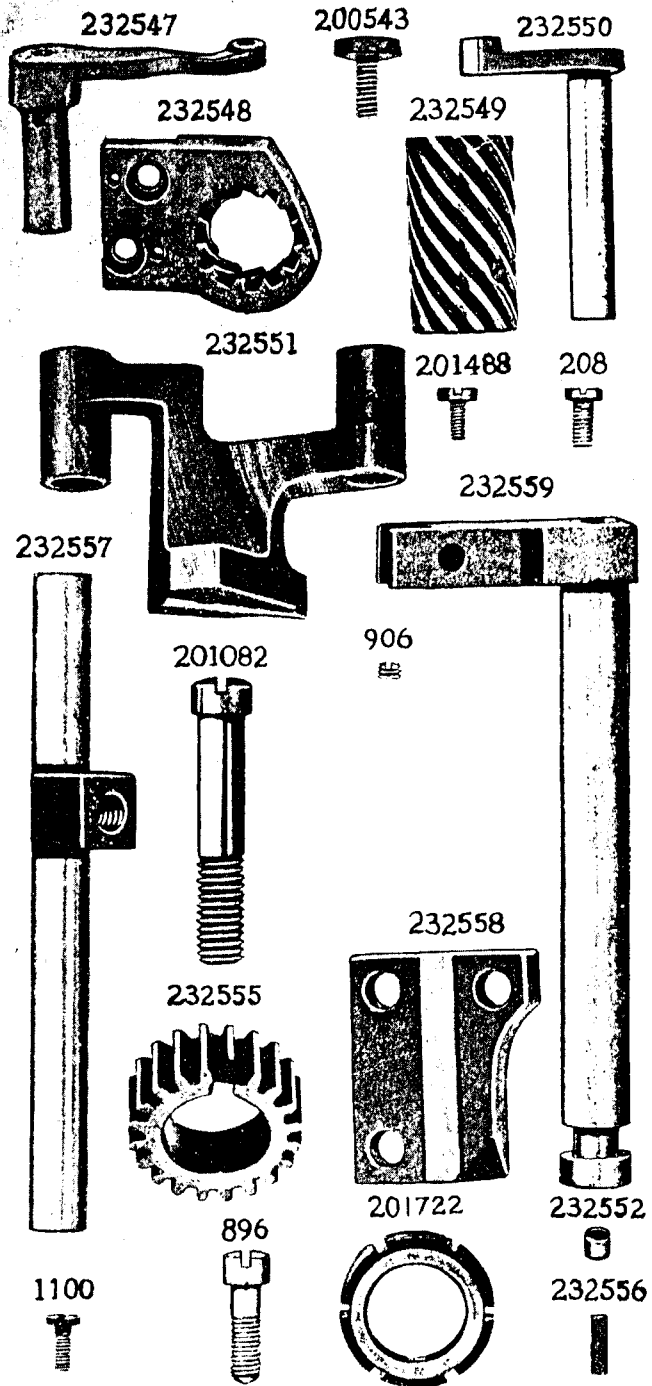


PLATE 13718—FULL SIZE

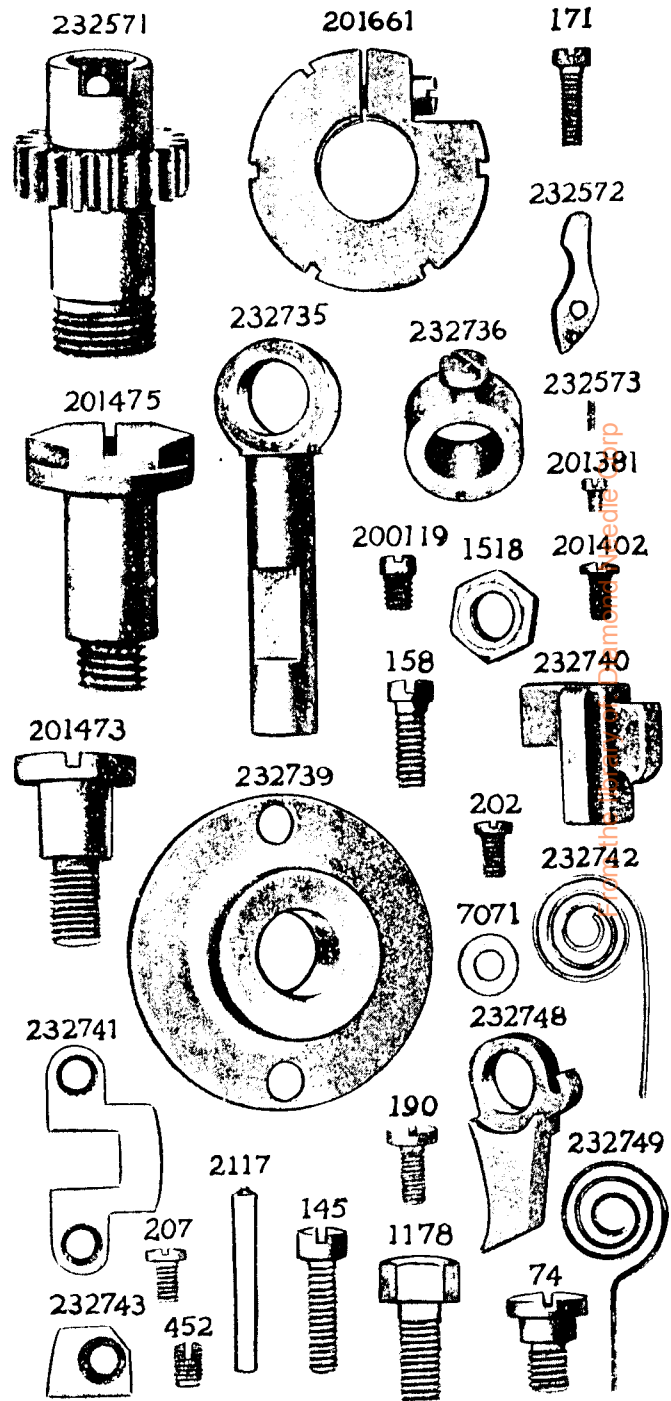


PLATE 13720—FULL SIZE

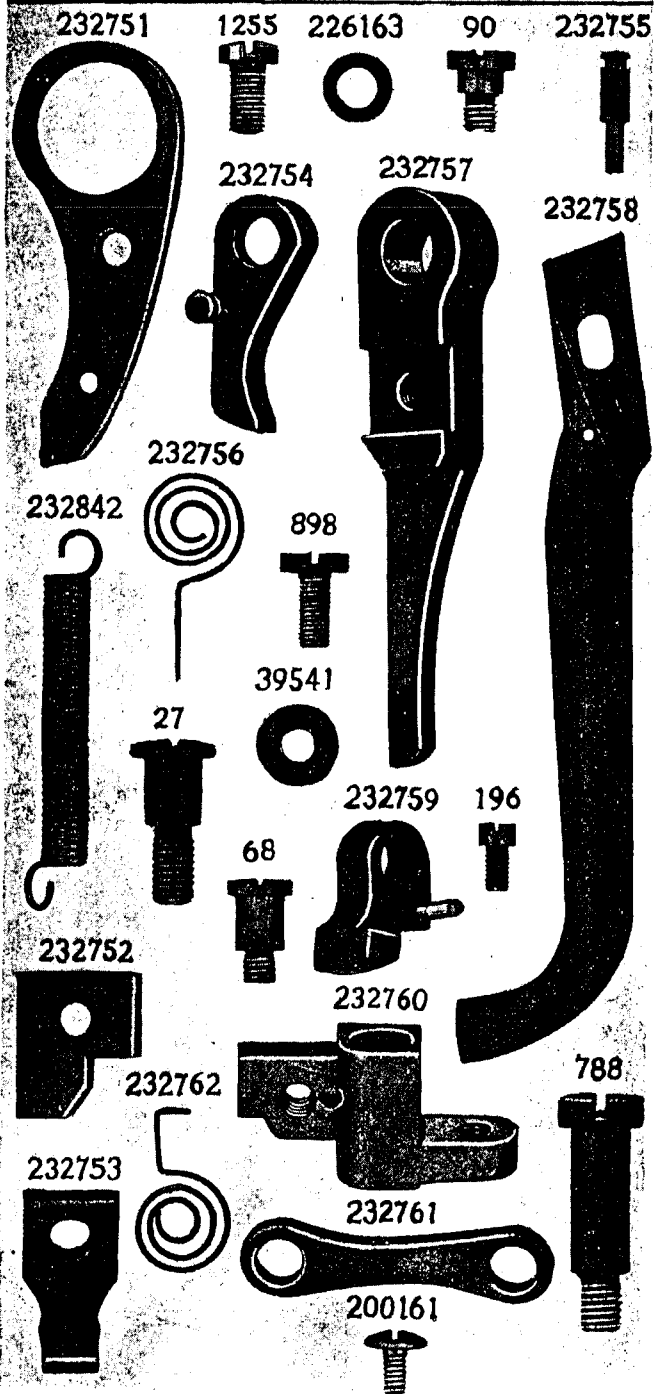
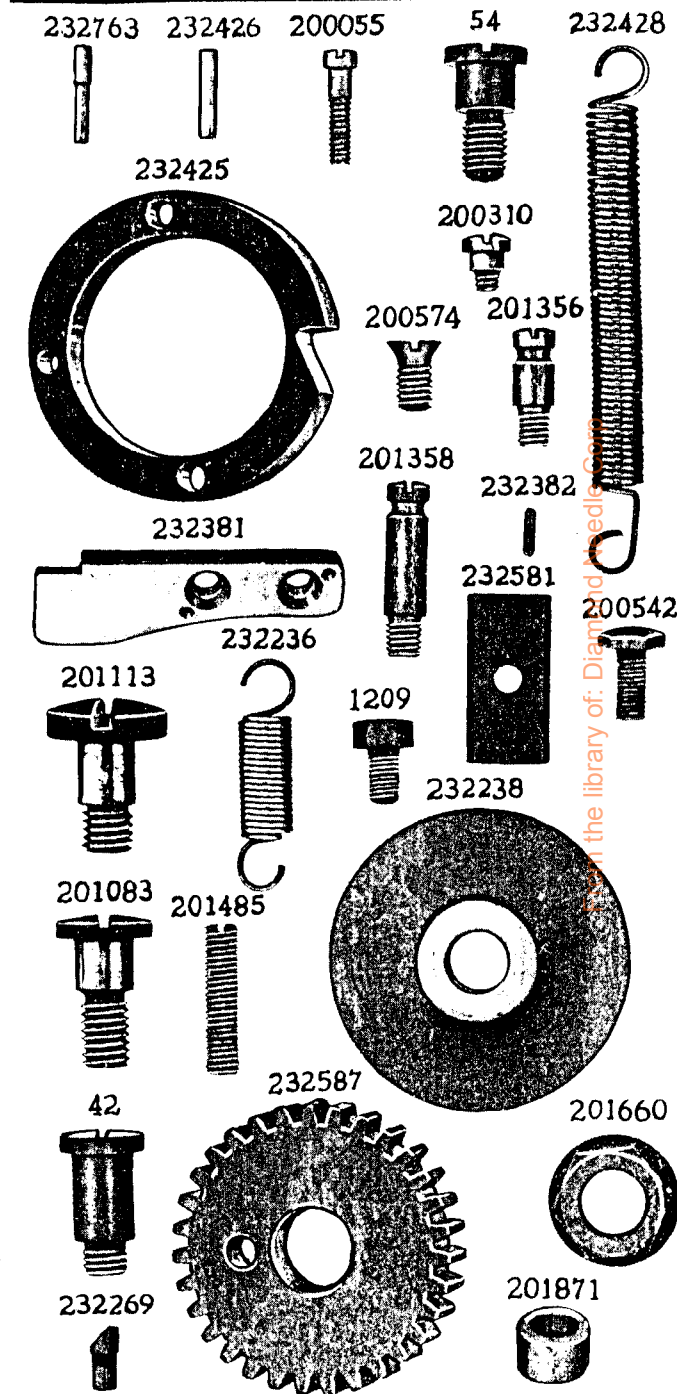


PLATE 13721—FULL SIZE



in the library of: Diamond Needle Co.

PLATE 13722—ONE-HALF SIZE

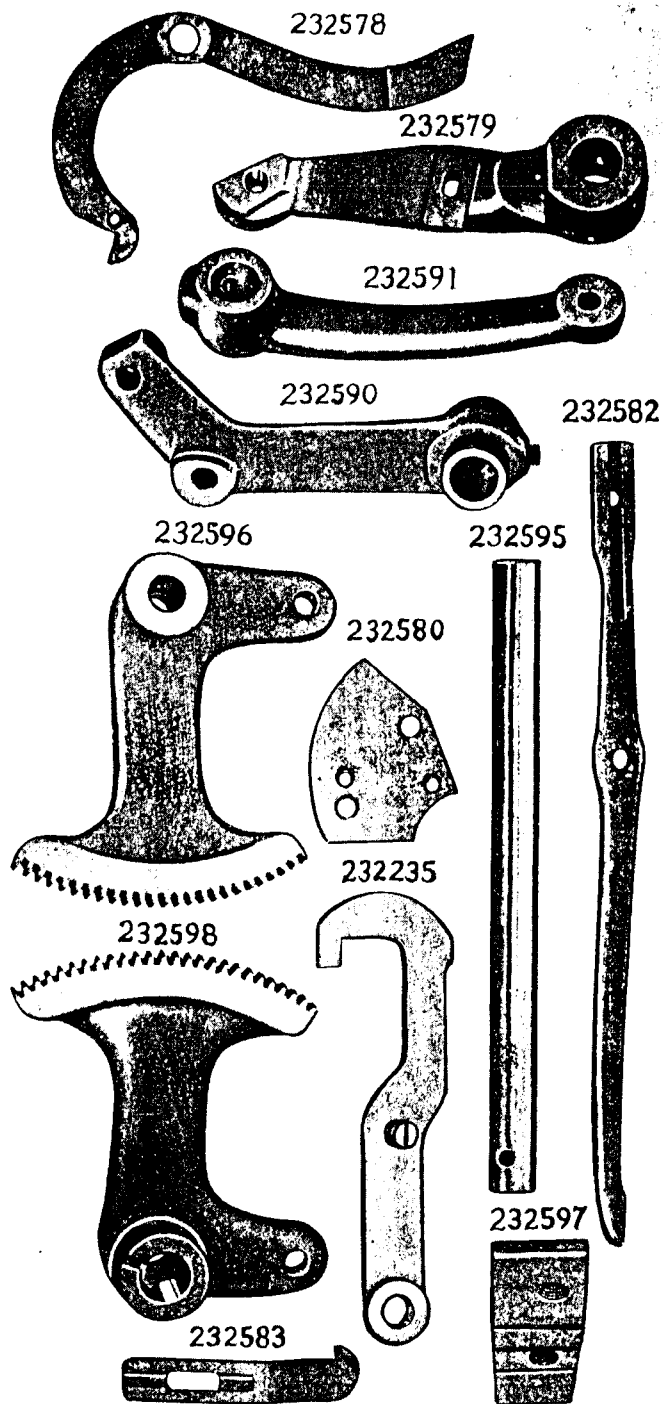


PLATE 13723—FULL SIZE

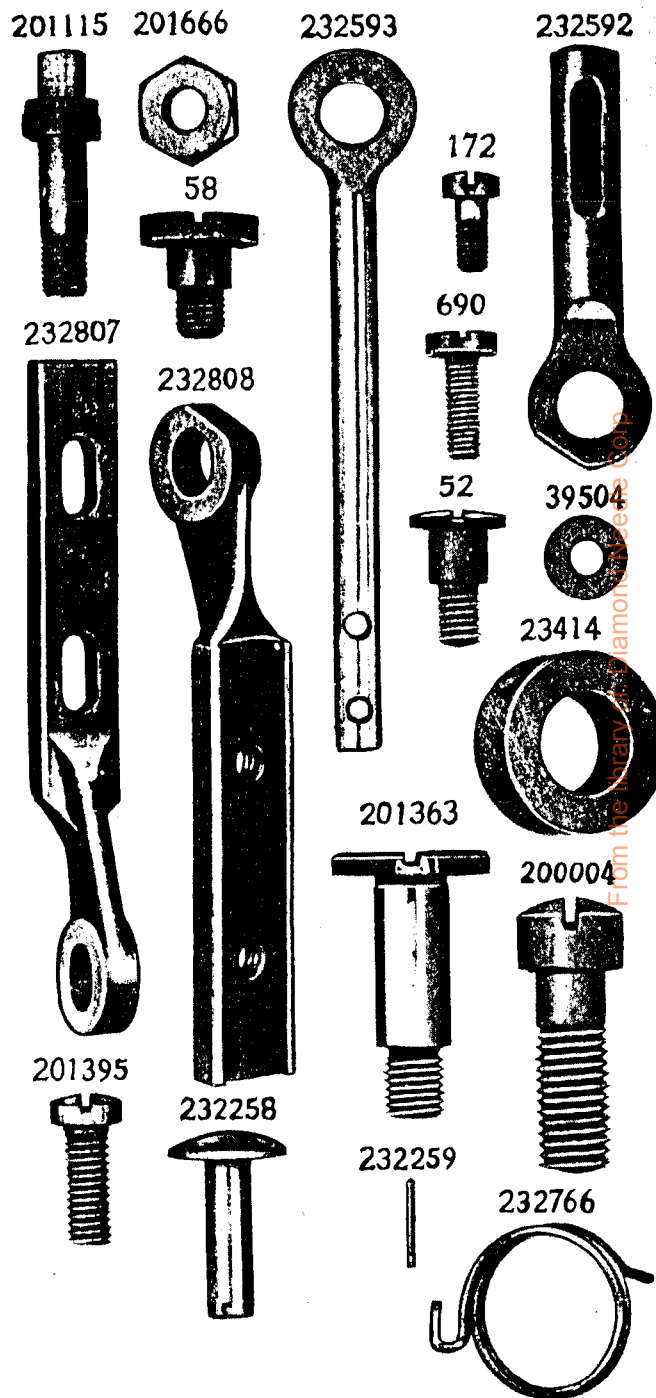


PLATE 13727—FULL SIZE

232650 232646 232648 232517 232652

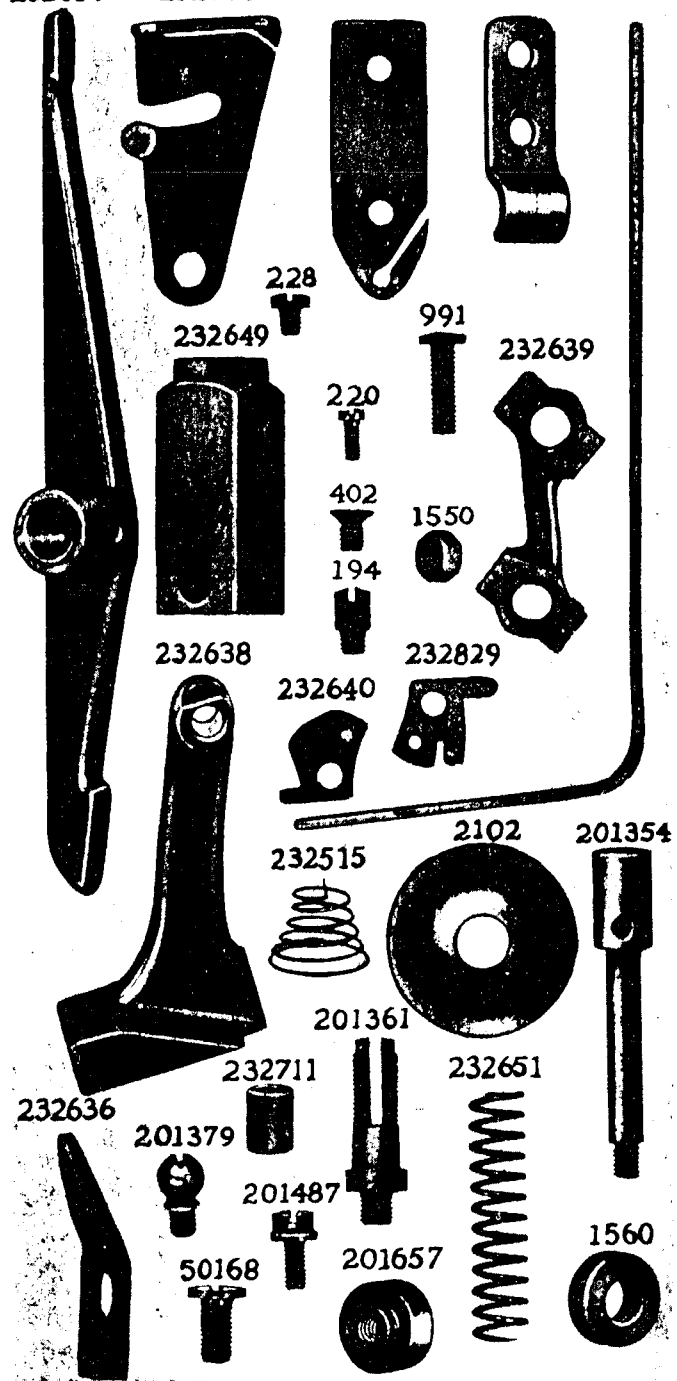
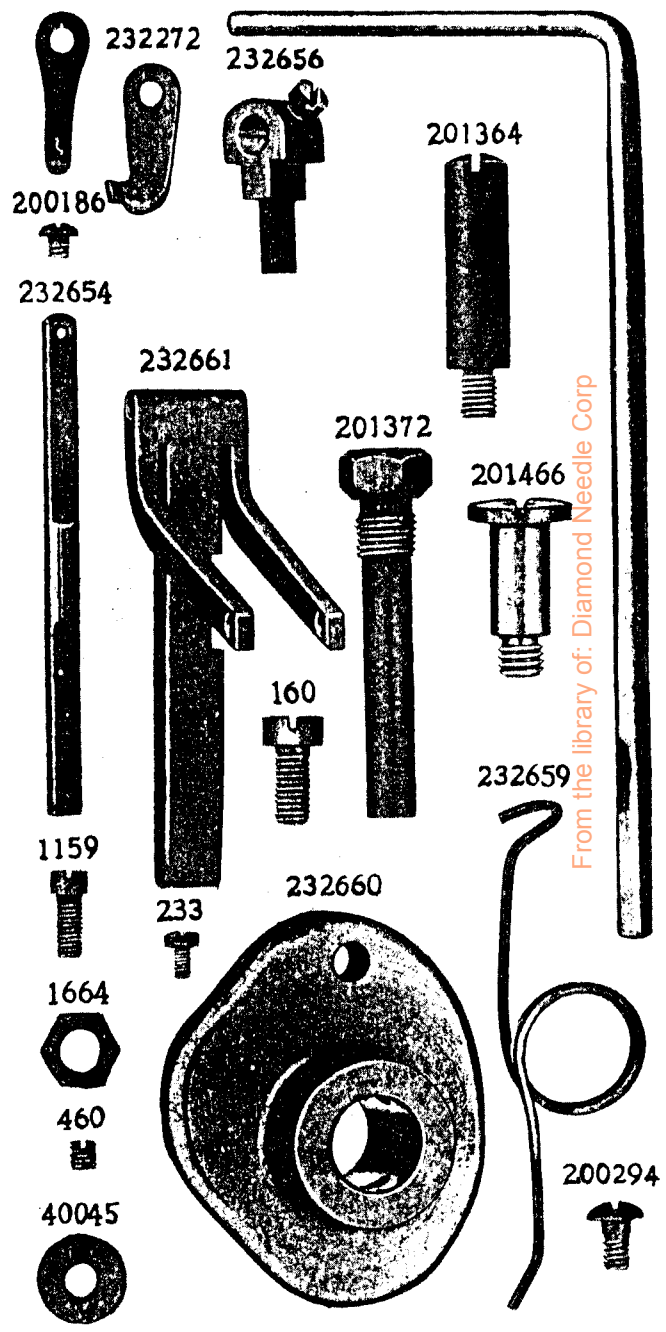


PLATE 13728—FULL SIZE

232270 232655



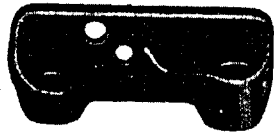
From the library of: Diamond Needle Corp

PLATE 13733—ONE-HALF SIZE

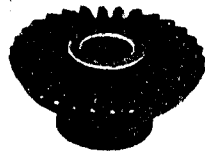
232657



232667



232673

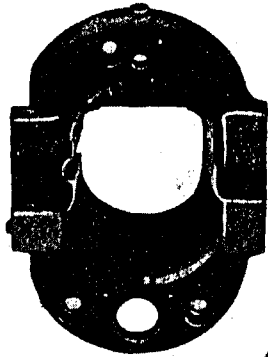


232658

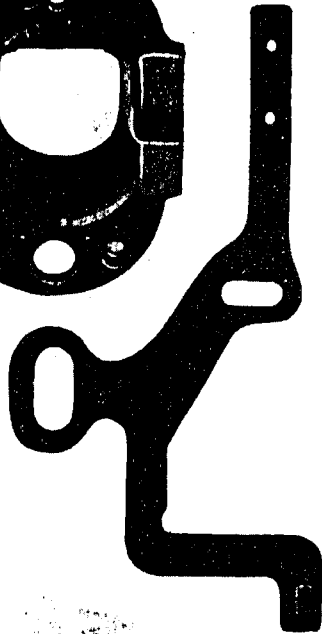


232797

232662



232796



232462

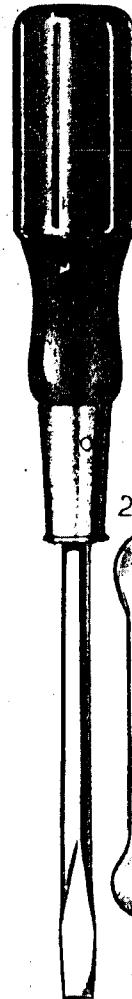


232668



PLATE 13741—ONE-HALF SIZE

11831



225498



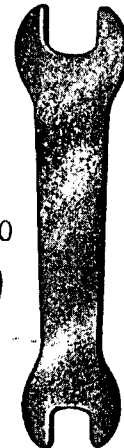
25200



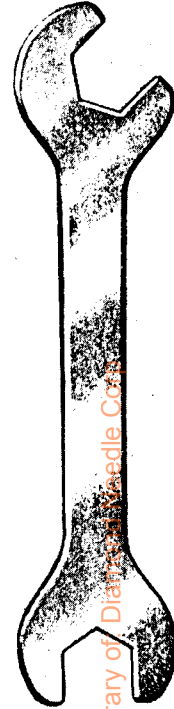
250522



8909



232900



From the library of
Diagrams Needle Co.

255513



42850



232935



232932



232819



23535



10875



PLATE 13870—ONE-SIXTH SIZE

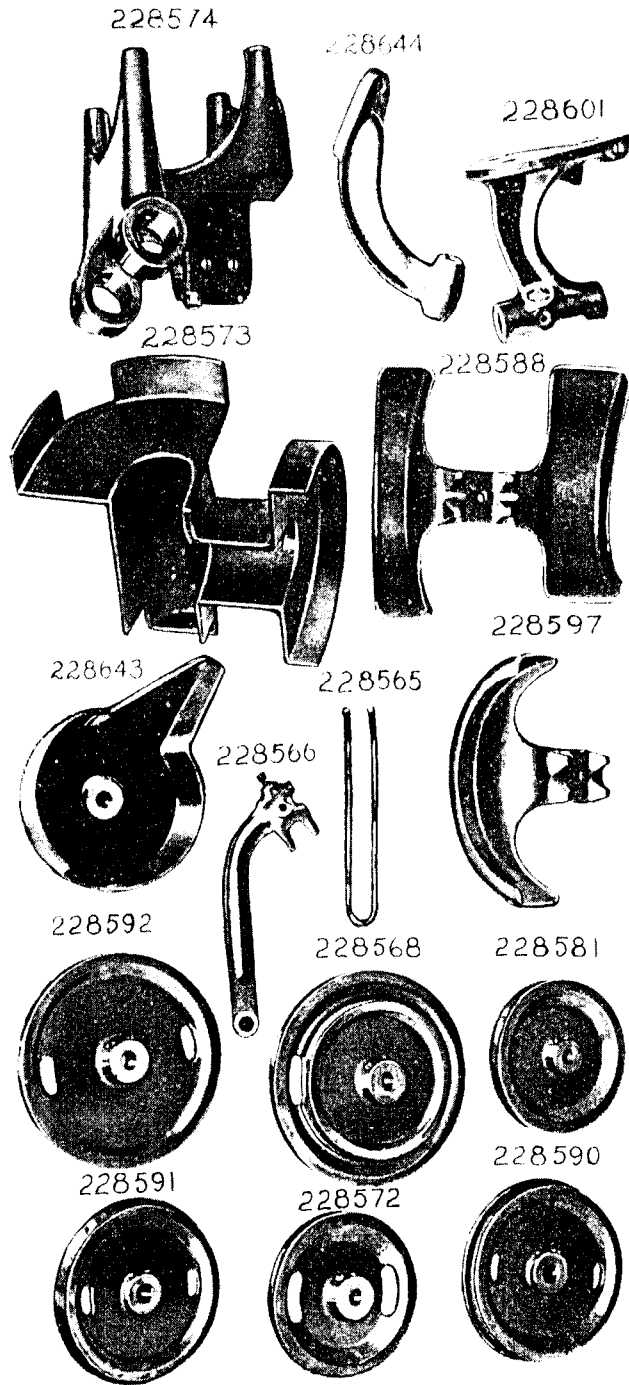
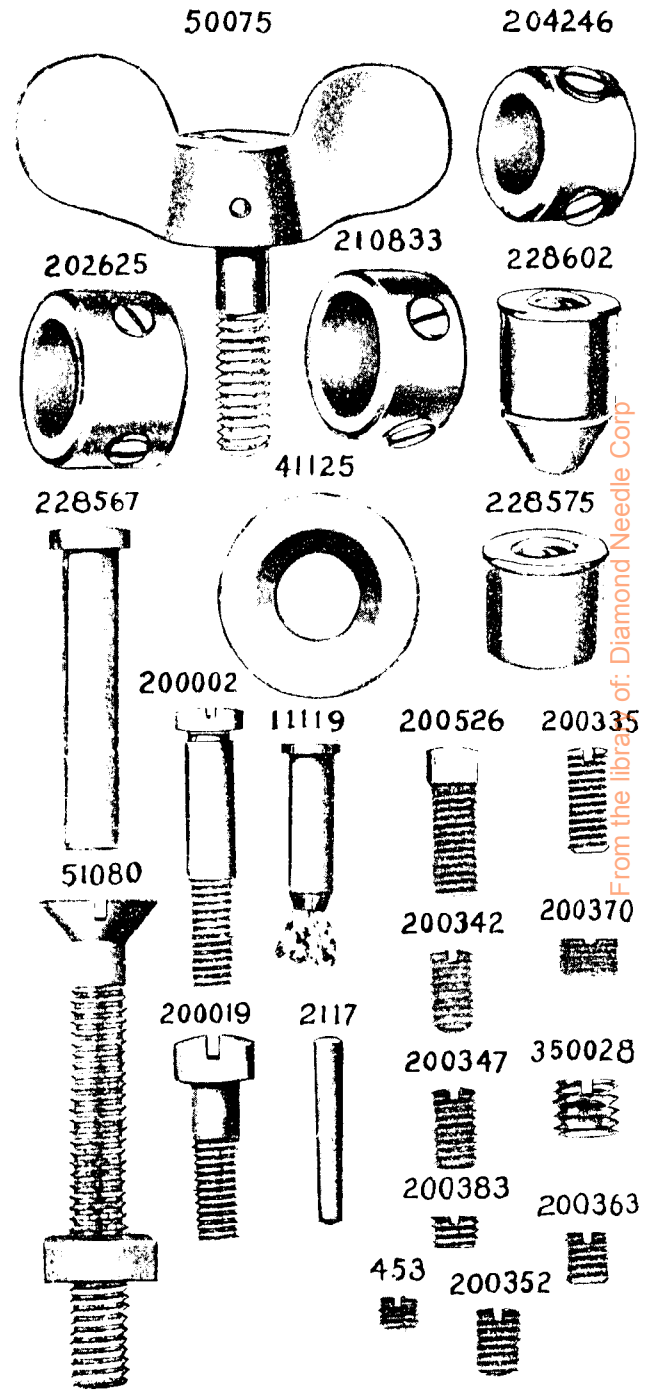


PLATE 13871—FULL SIZE



From the library of: Diamond Needle Corp

PLATE 13926—ONE-FOURTH SIZE

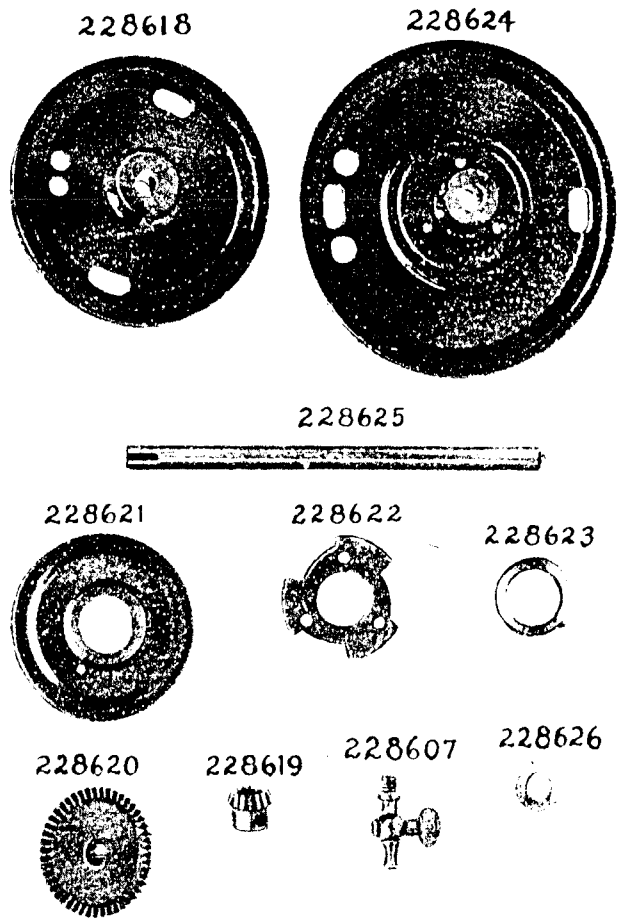
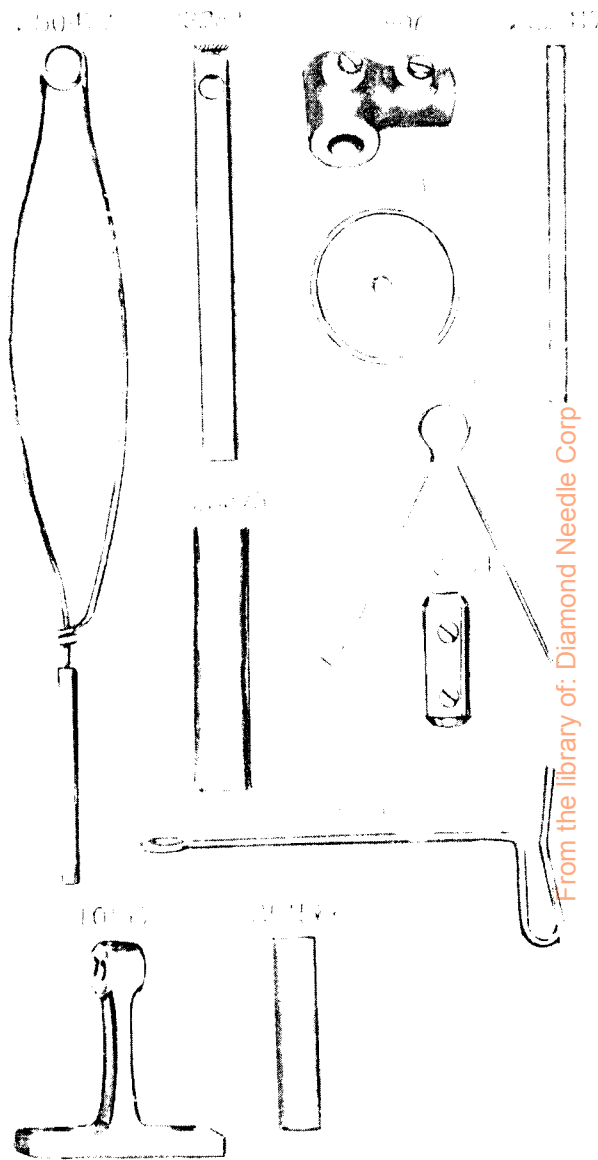


PLATE 13940—ONE-HALF SIZE



From the library of: Diamond Needle Corp.

PLATE 13941—FULL SIZE

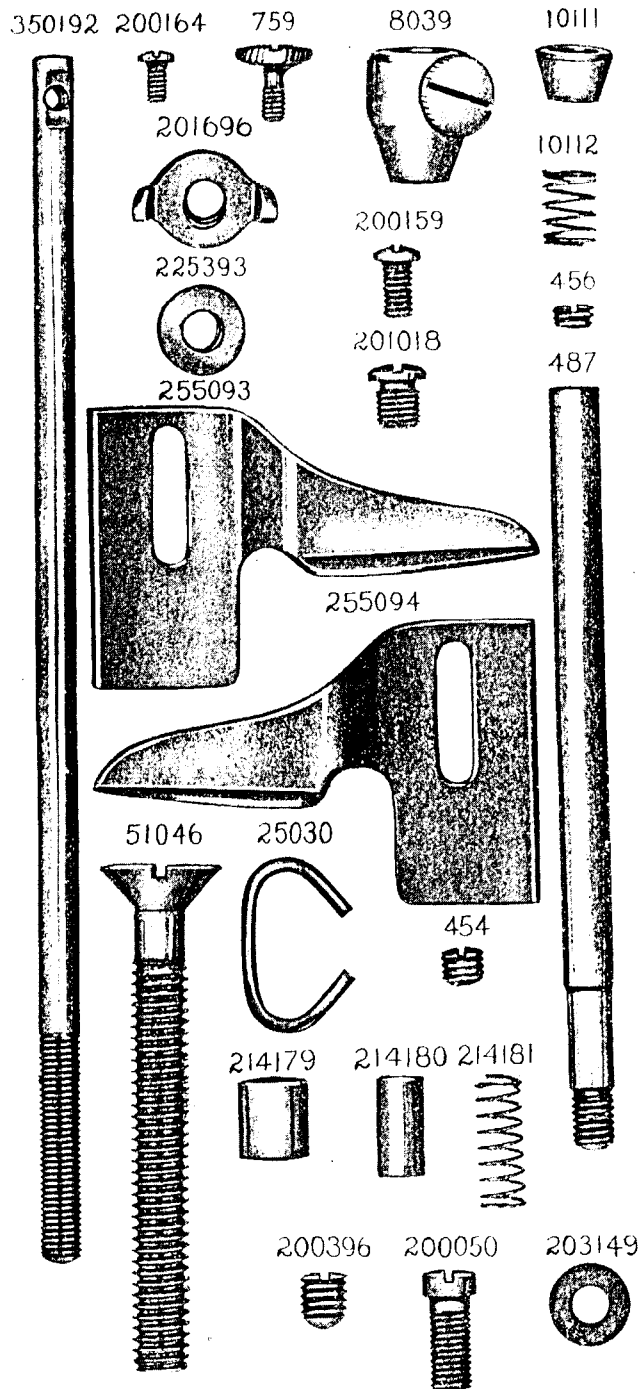
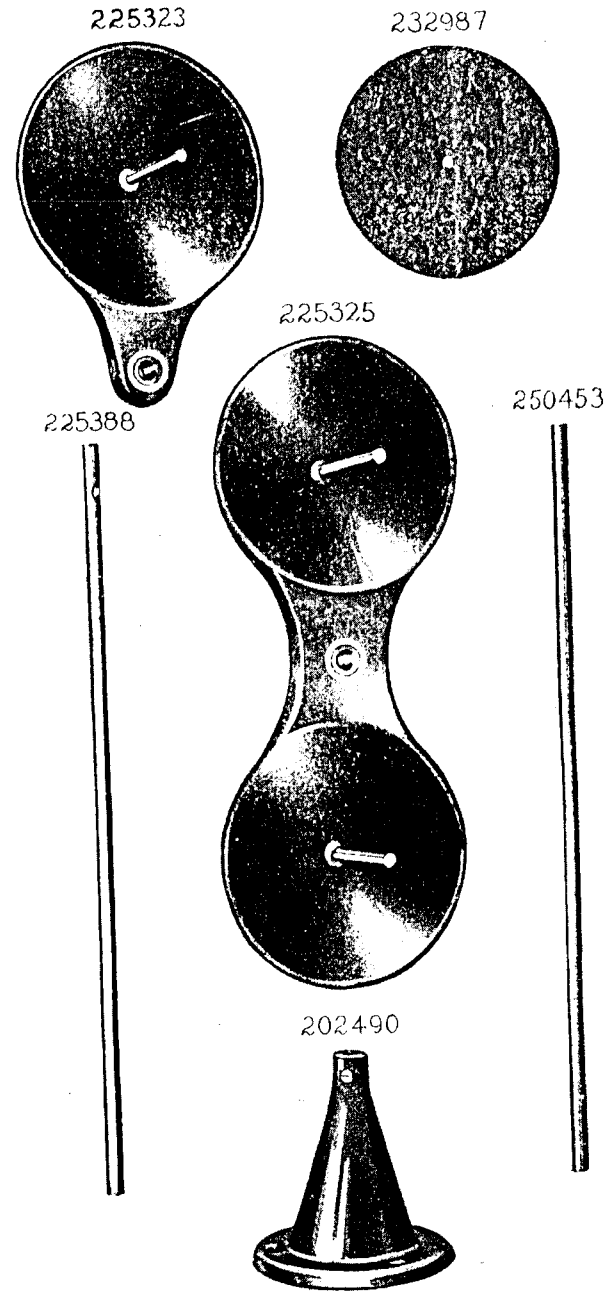


PLATE 13944—ONE-FOURTH SIZE



From the library of: Diamond Needle Corp

PLATE 15413 - ONE-FOURTH SIZE

50285 126869 126752 126865 126868

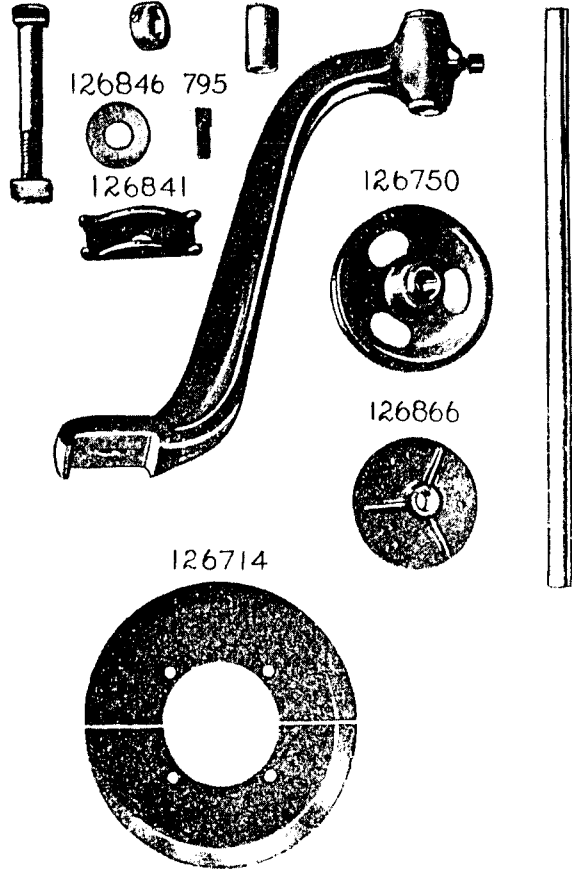
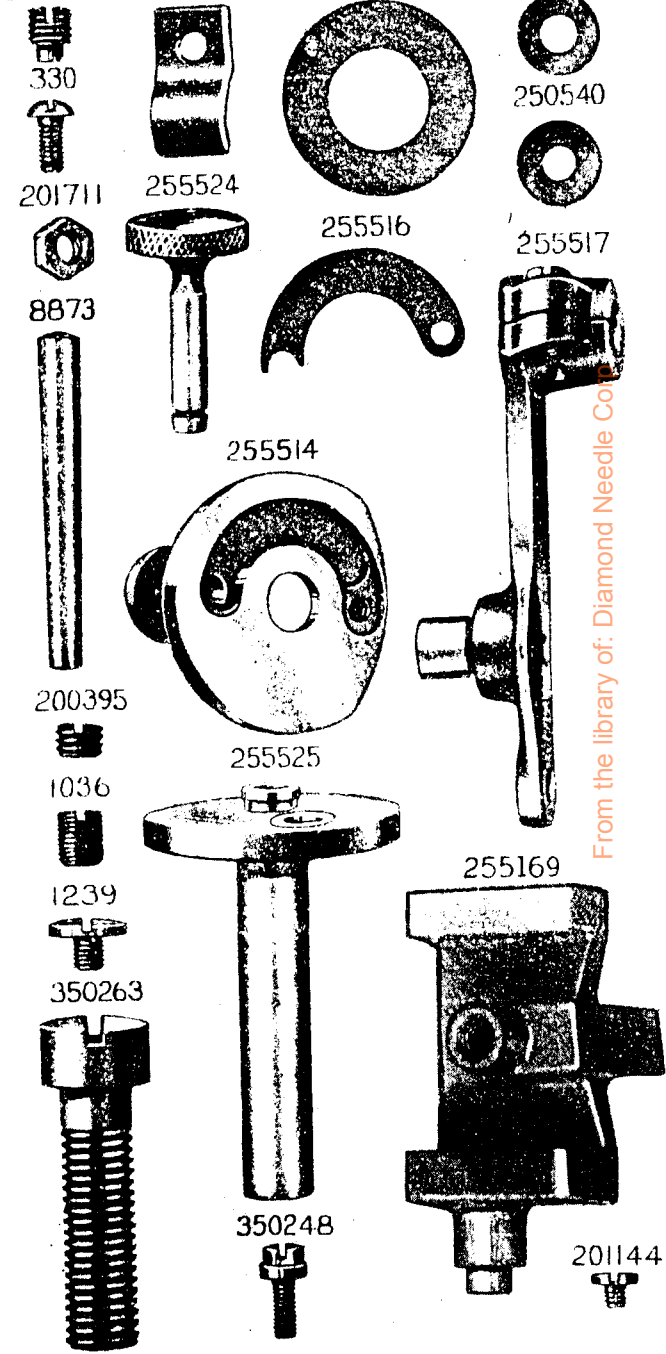


PLATE 15414 - FULL SIZE

350223 250451 203172 203149



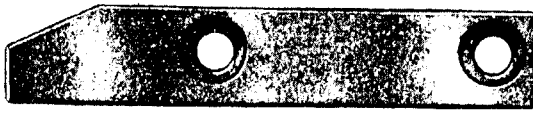
From the library of: Diamond Needle Co.

PLATE 15415—FULL SIZE

350192



255509



255510



255511



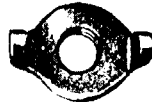
255512



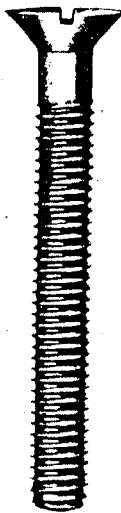
225393



201696



51046



250597



201018



200159



200164

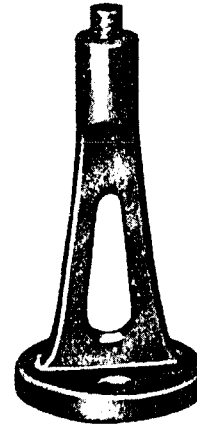


200082

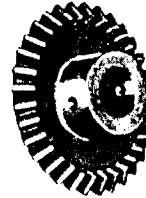


PLATE 15416—ONE-HALF SIZE

232981



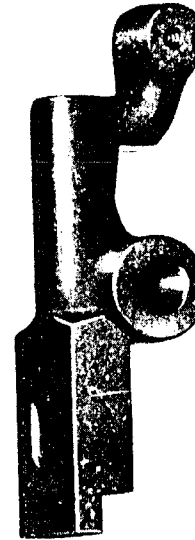
255521



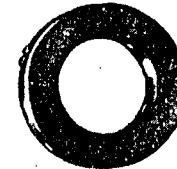
255527



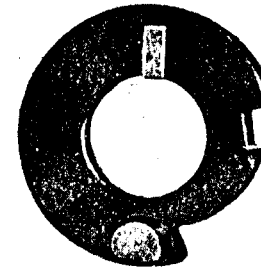
251026



251025



255507



228632



255522



From the Diamond Tool Corp

PLATE 15417—FULL SIZE

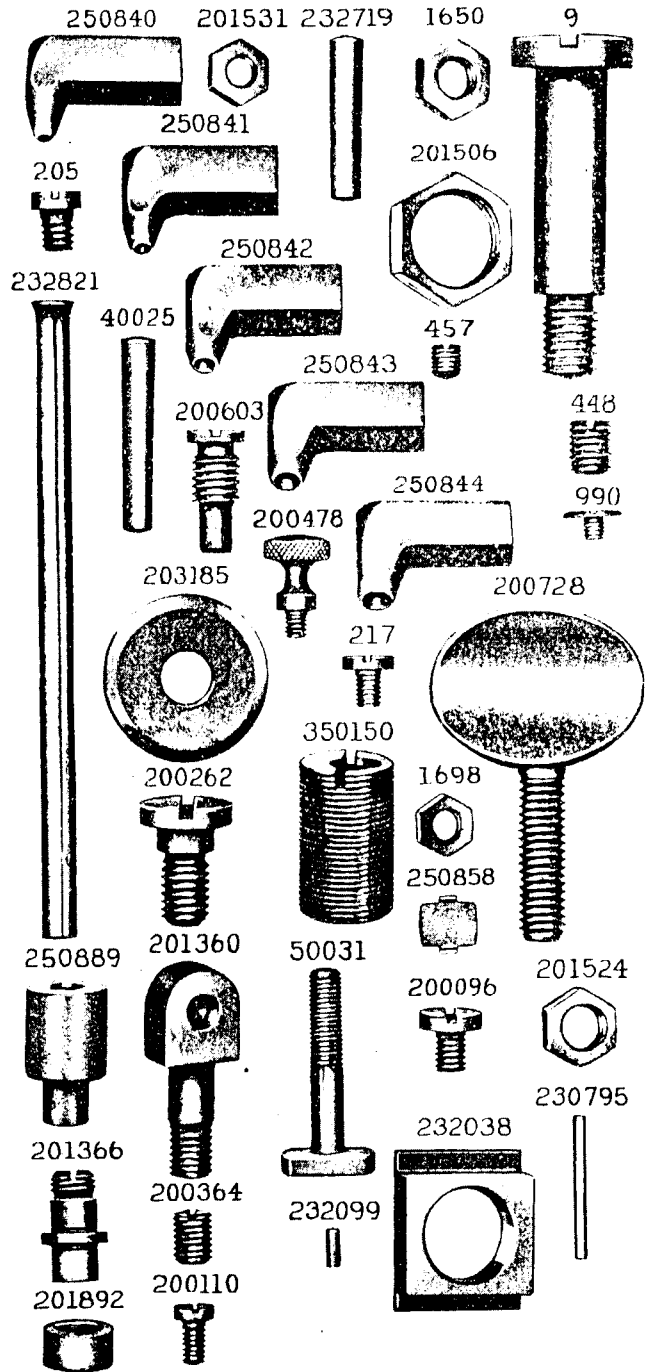


PLATE 15418—ONE-HALF SIZE

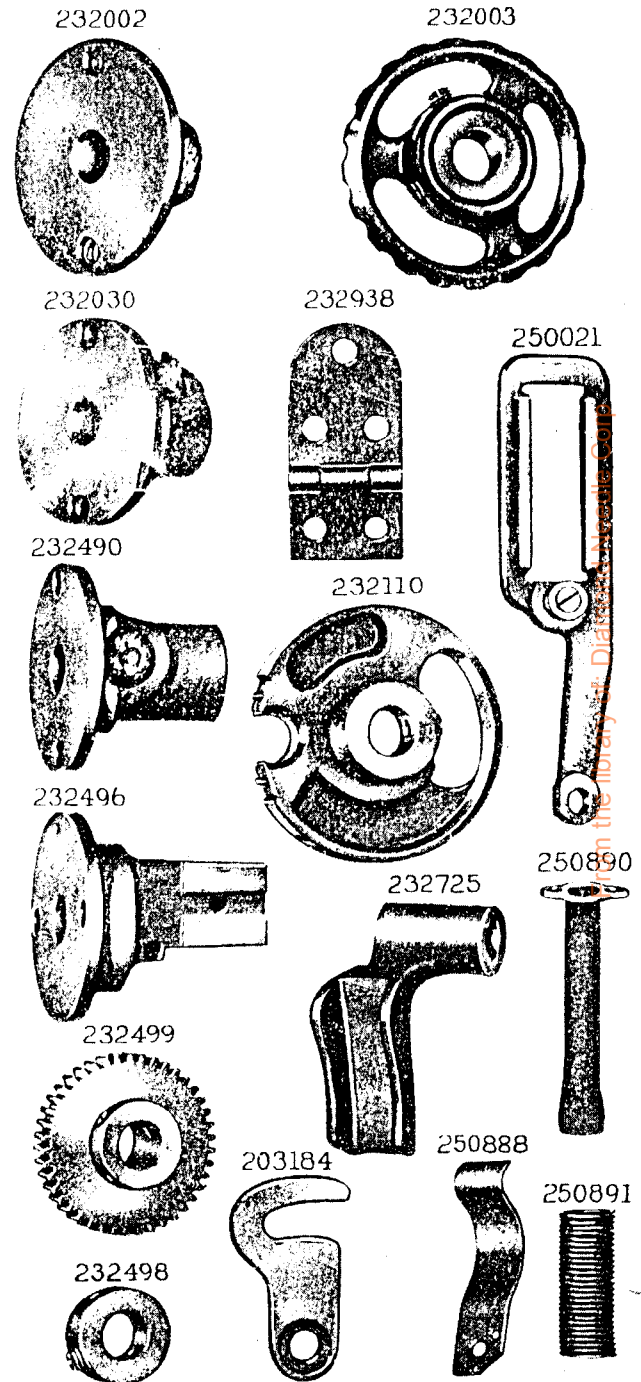


PLATE 15419—FULL SIZE

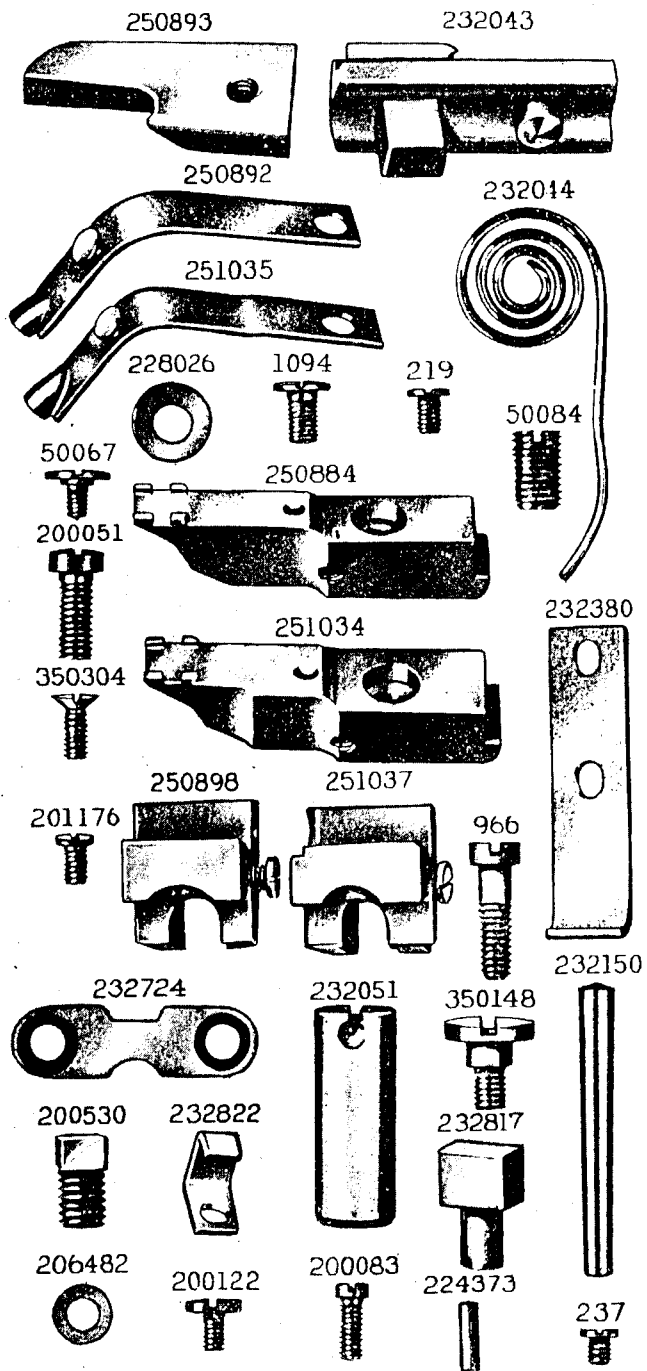
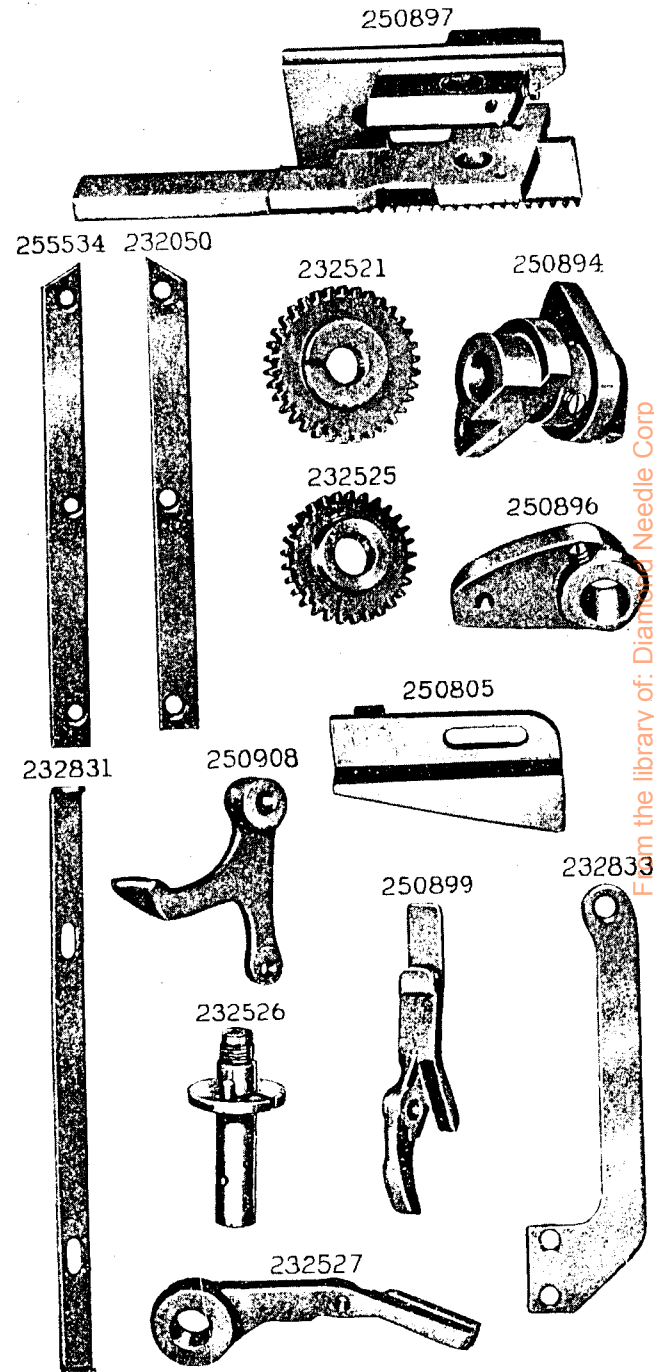


PLATE 15420—ONE-HALF SIZE



From the library of: Diamond Needle Corp

PLATE 15421—FULL SIZE

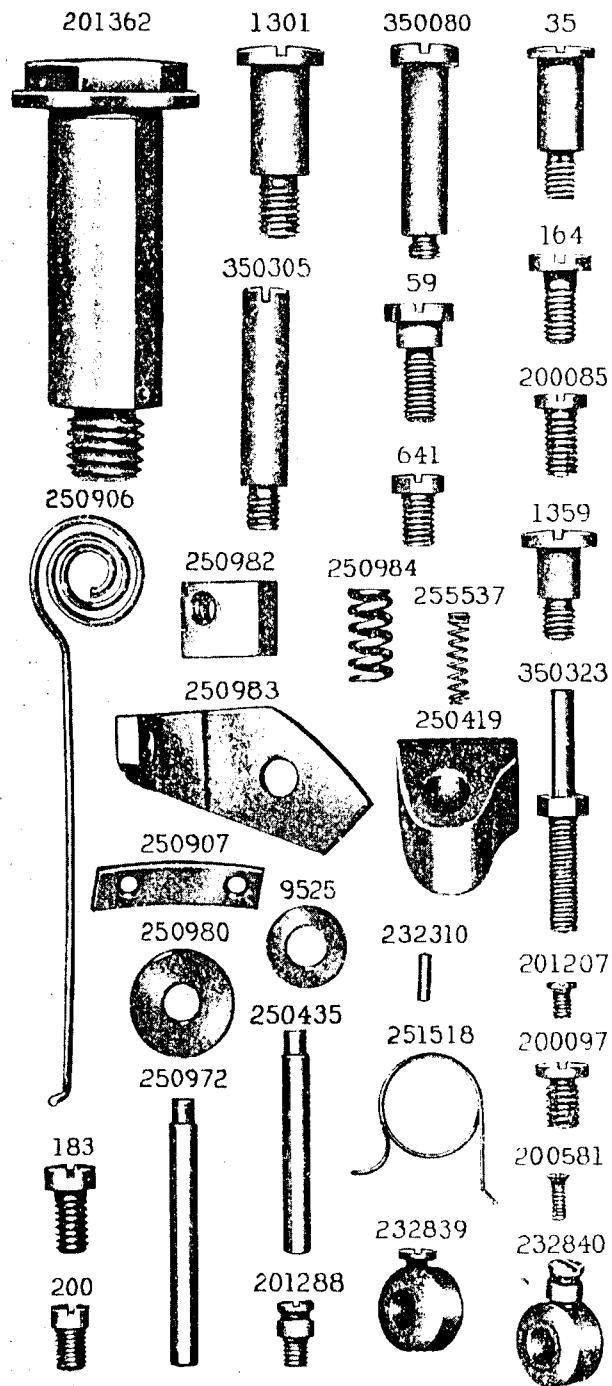


PLATE 15422—ONE-HALF SIZE

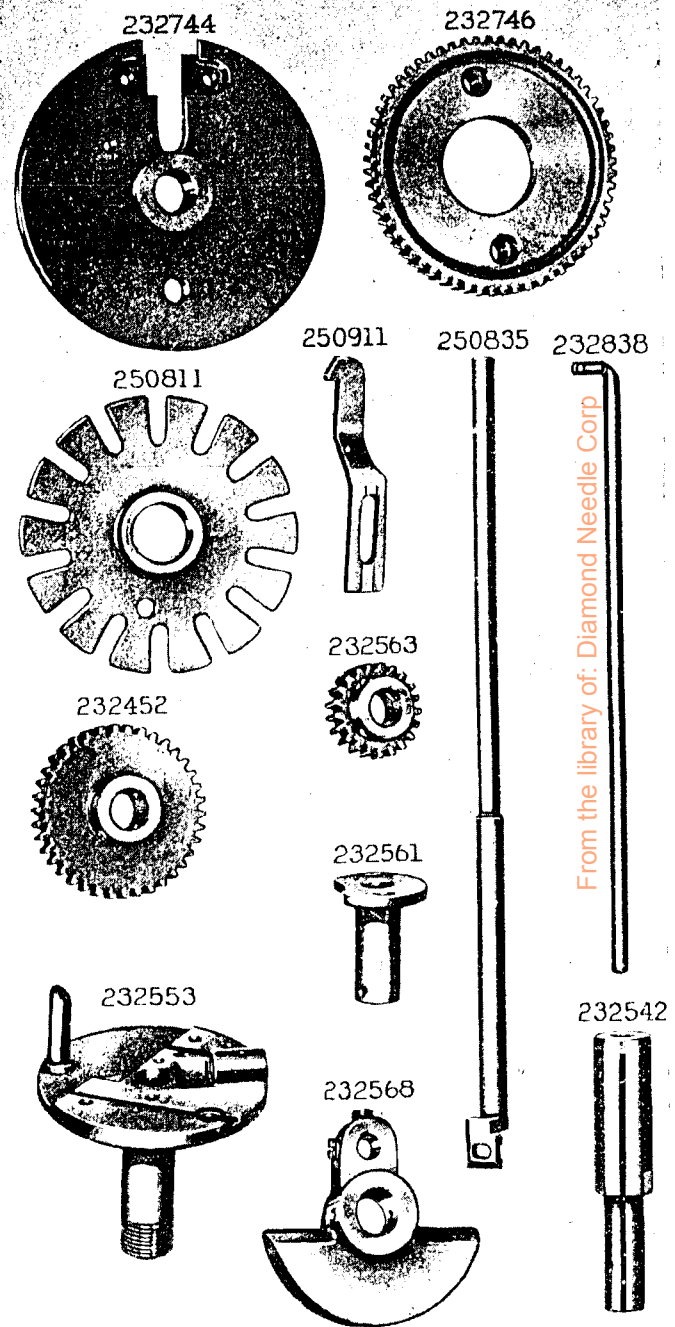


PLATE 15422—ONE-HALF SIZE

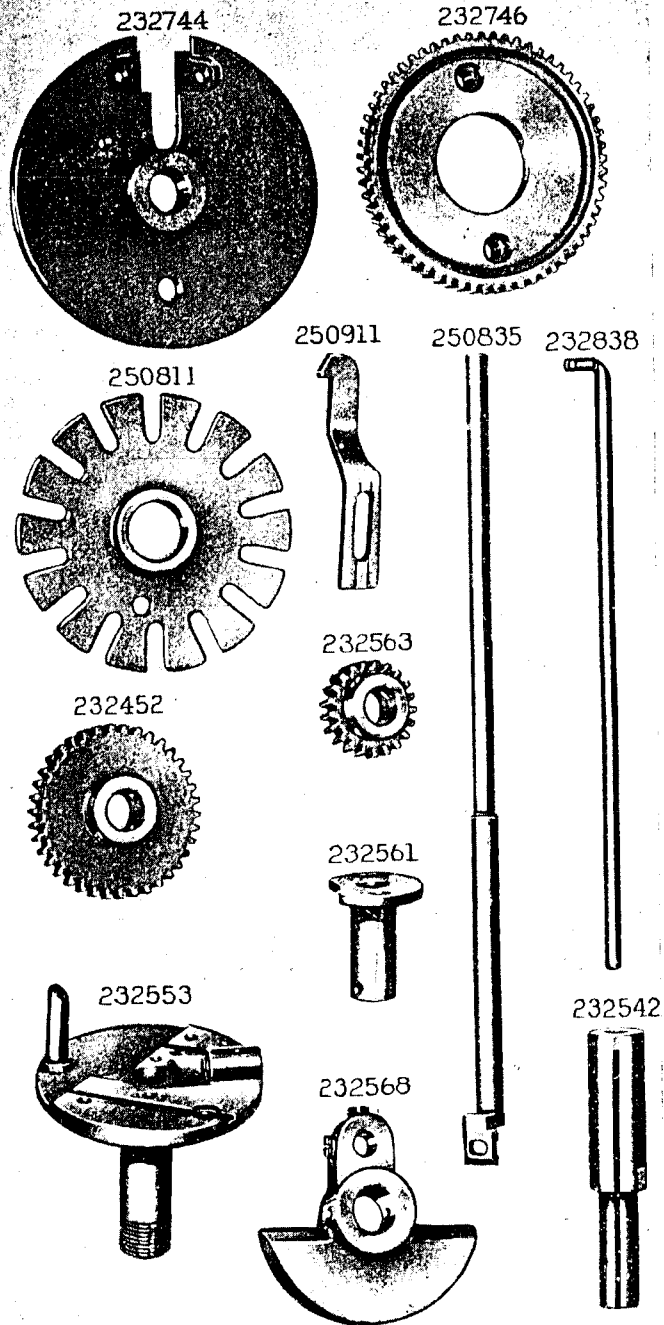


PLATE 15425—ONE-FOURTH SIZE

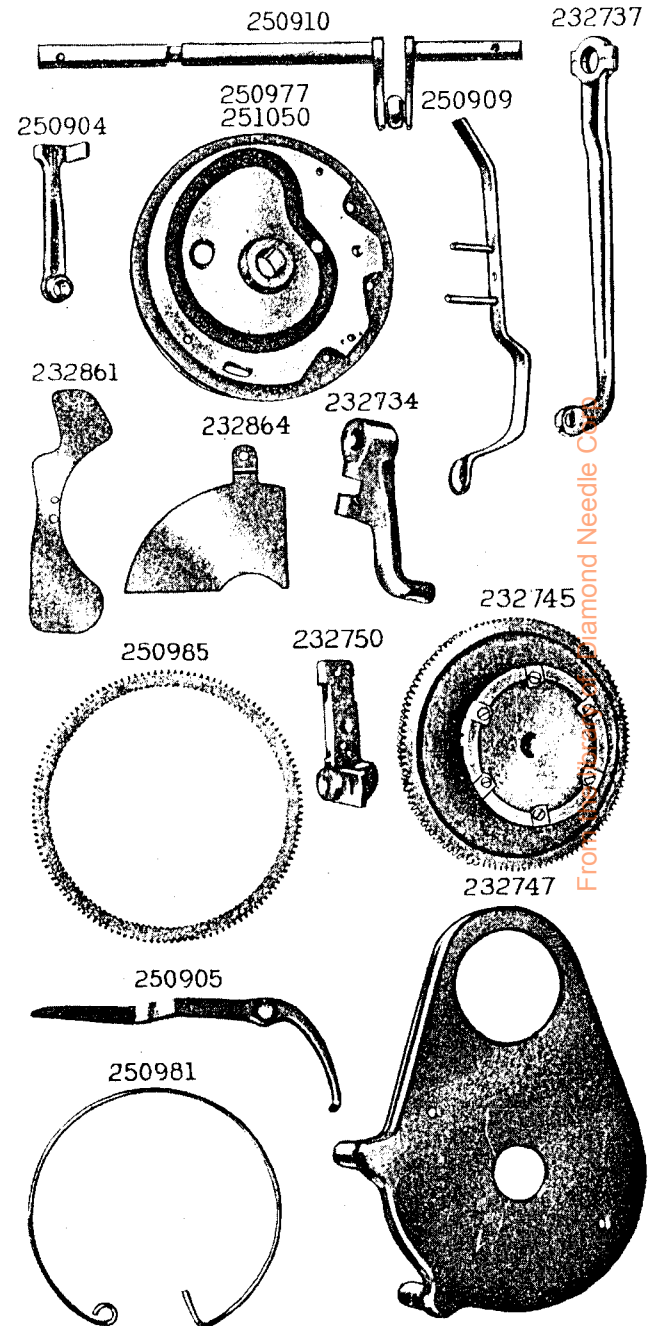


PLATE 15424-FULL SIZE

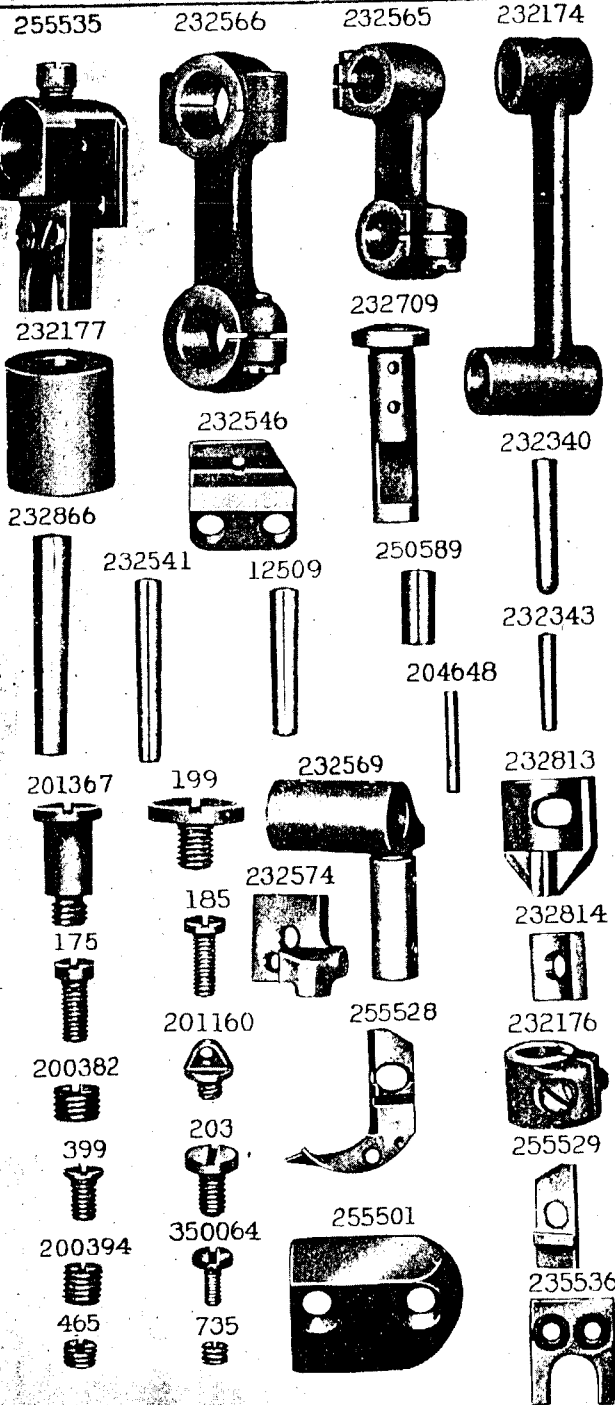
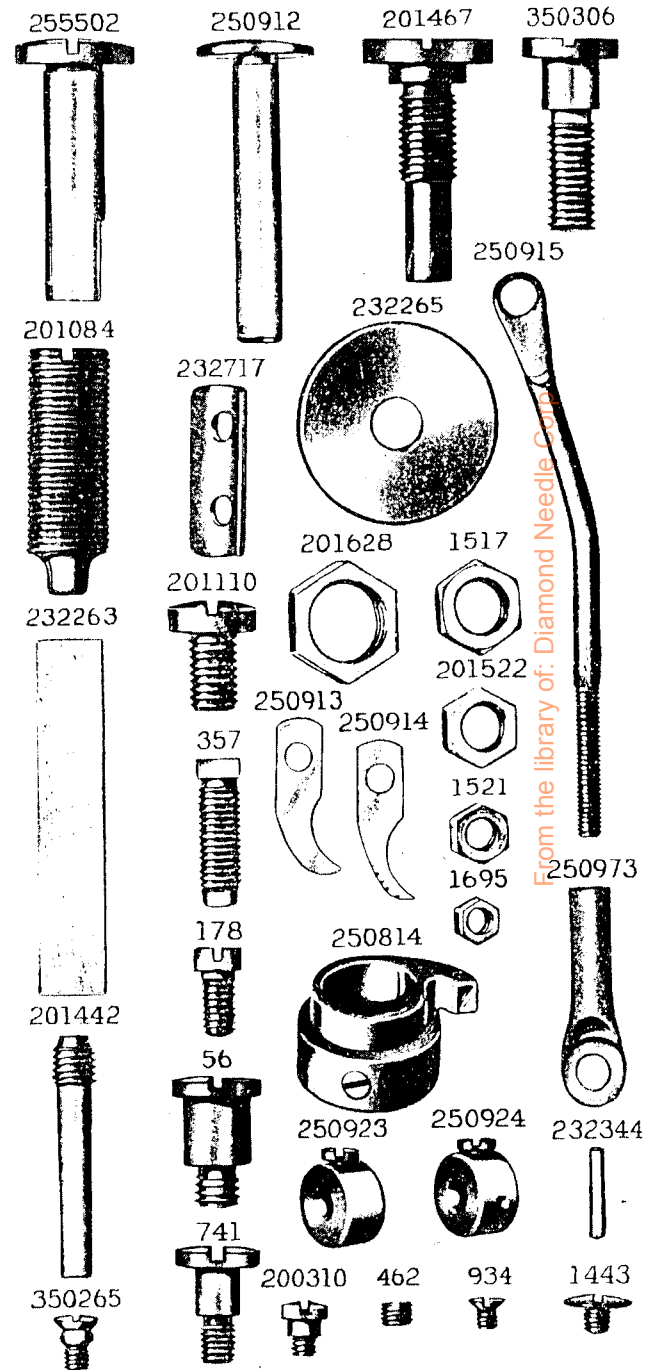


PLATE 15426-FULL SIZE



From the library of: Diamond Needle Corp.

PLATE 15427—ONE-HALF SIZE

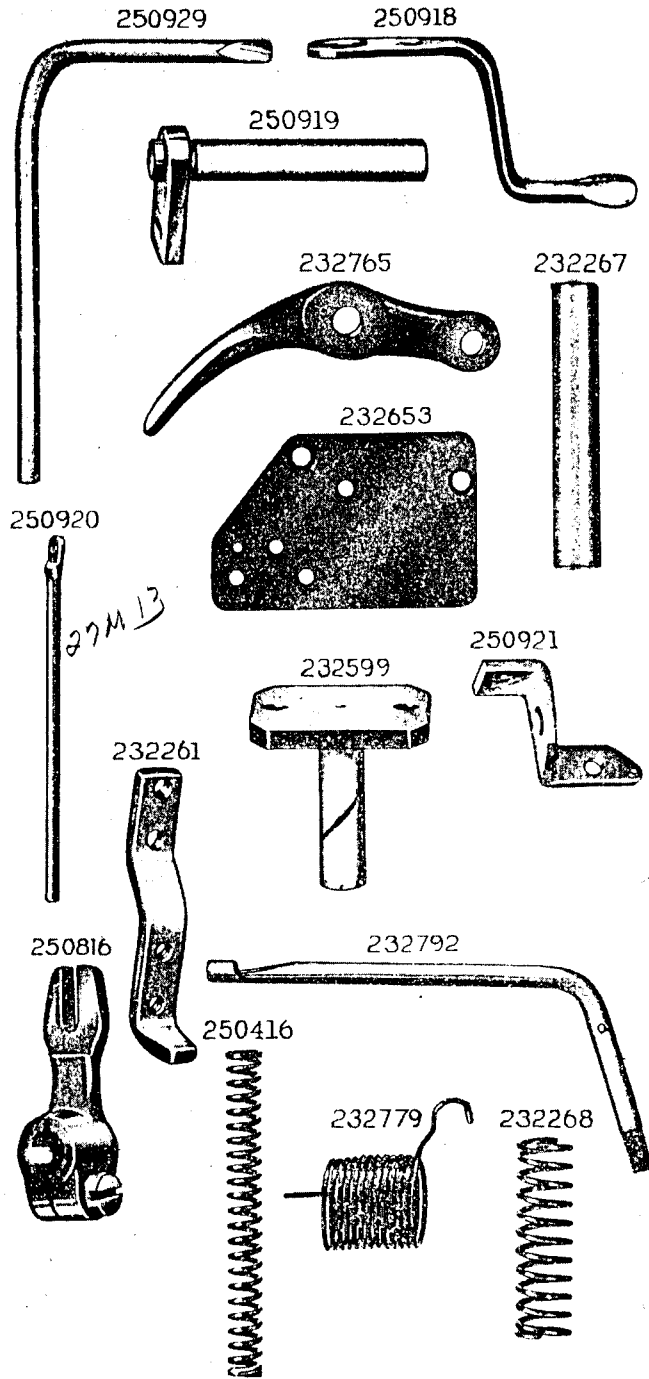


PLATE 15428—FULL SIZE

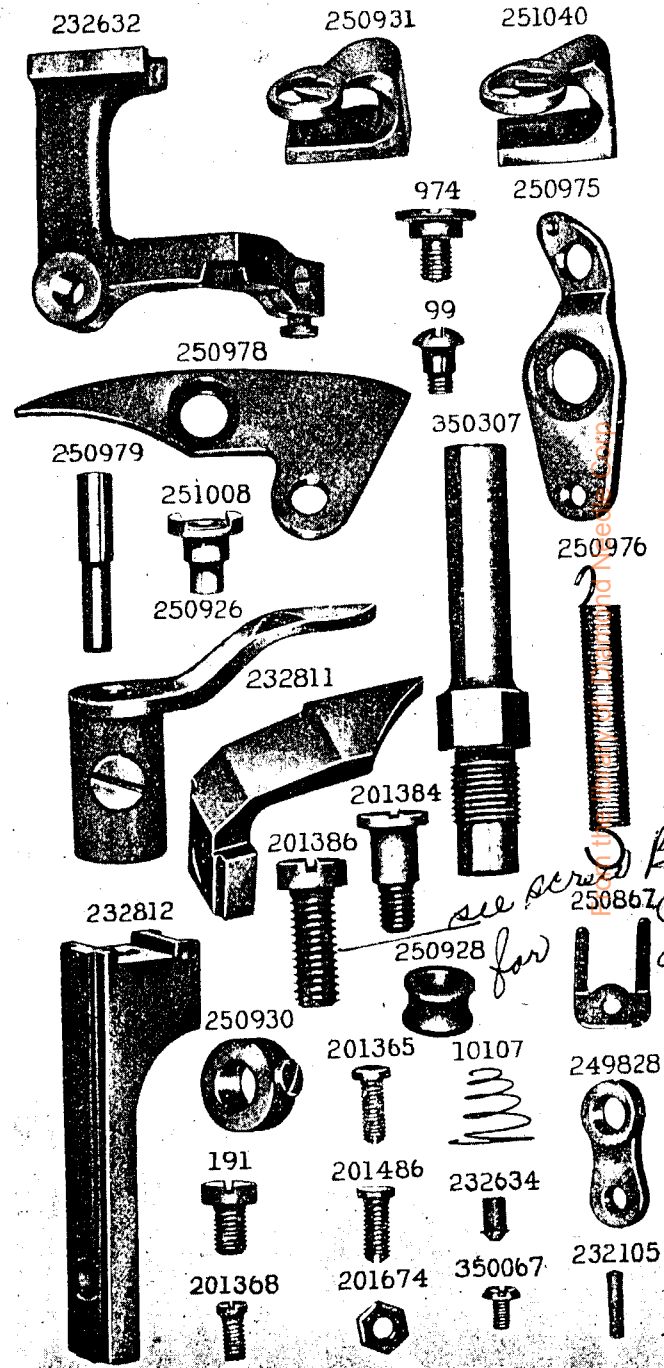


PLATE 15429—ONE-FOURTH SIZE

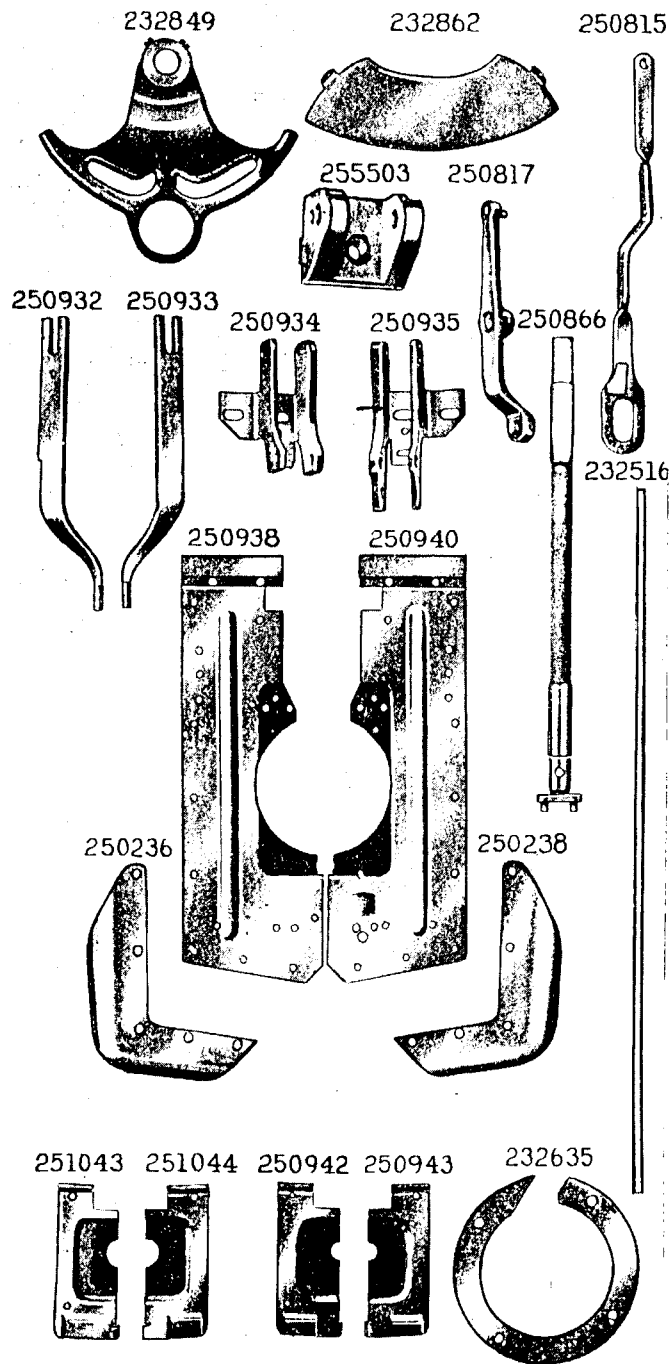


PLATE 15430—ONE-HALF SIZE

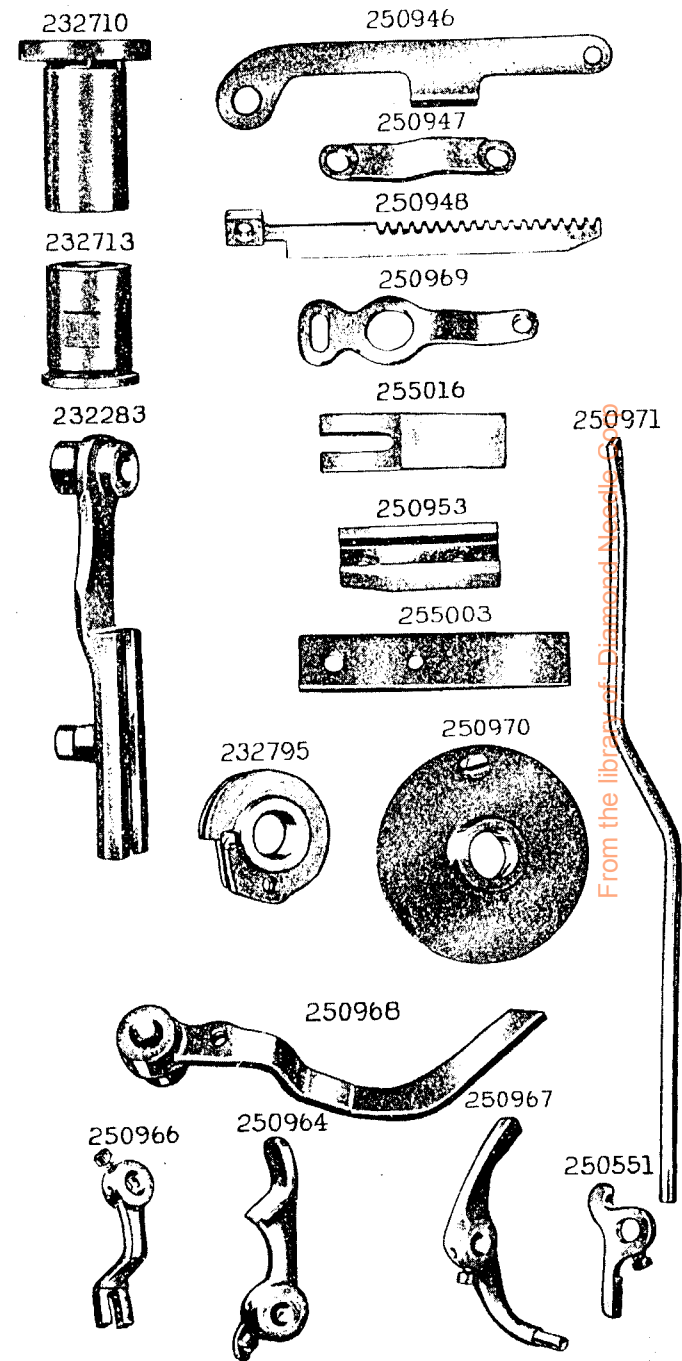


PLATE 15433—FULL SIZE

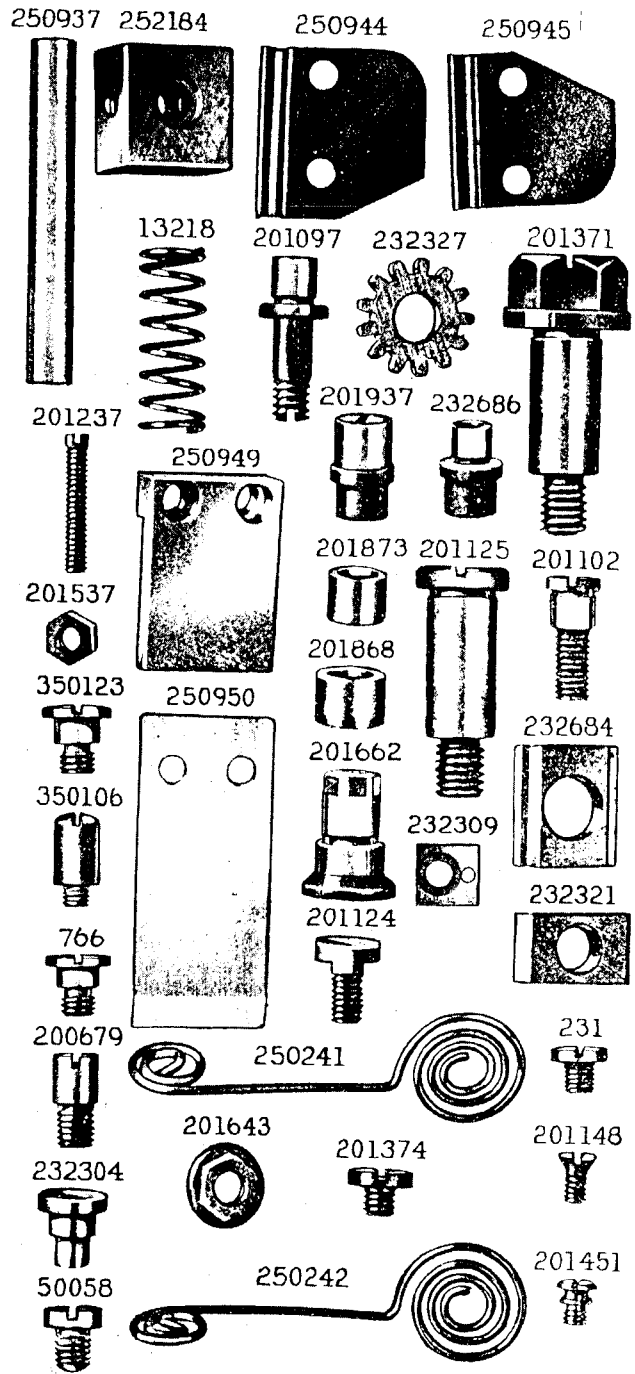
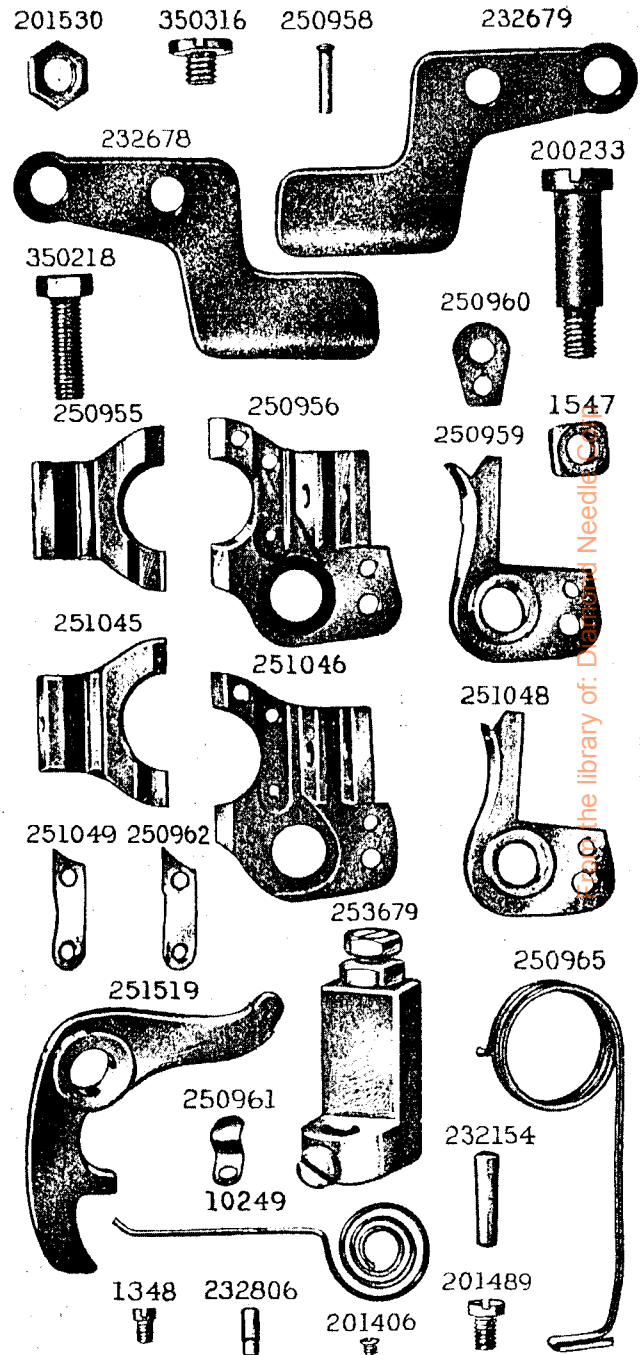


PLATE 15434—FULL SIZE



© 1964 The Library of Dr. J. H. Needle

PLATE 15435—ONE-FOURTH SIZE

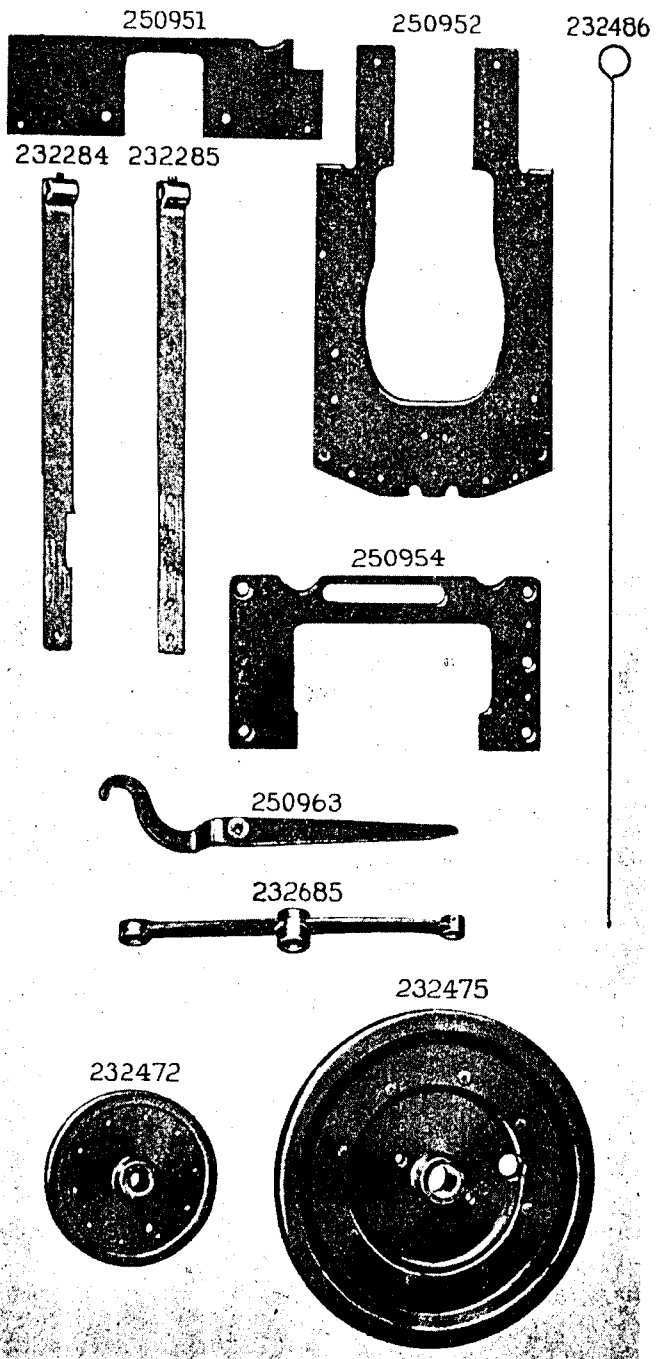
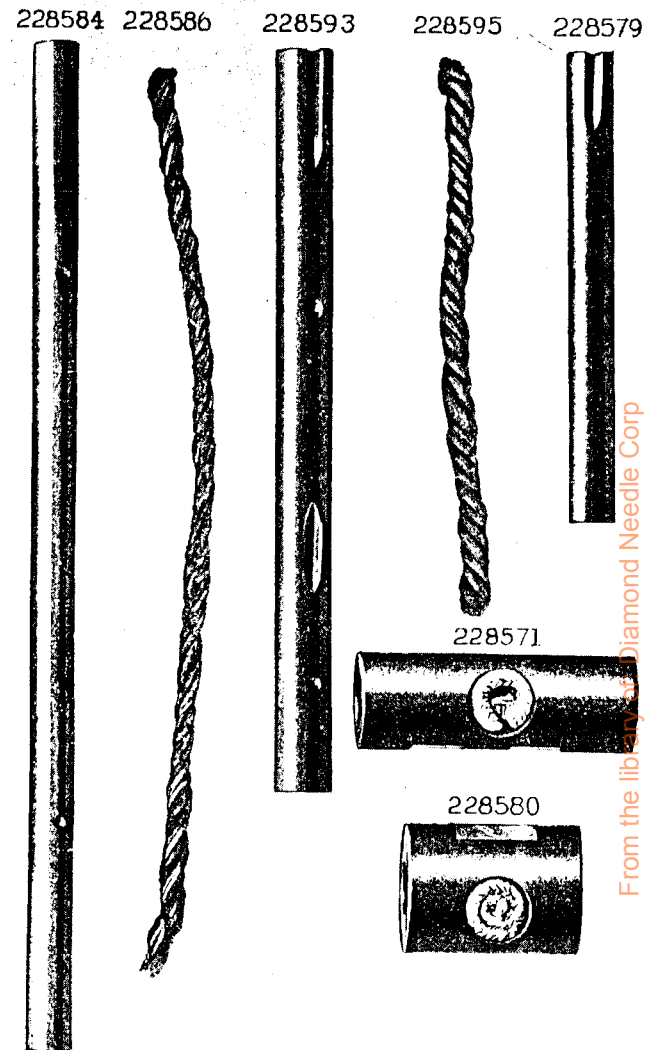


PLATE 15437—ONE-HALF SIZE



From the library of Diamond Needle Corp

PLATE 15436—FULL SIZE

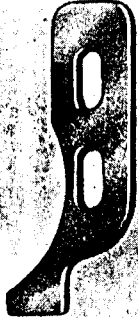
250428



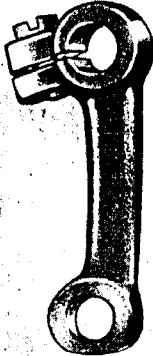
250927



250275



250274



50399



597



232534



25029



1330



808



51080



1448



792



200378



106



201437

